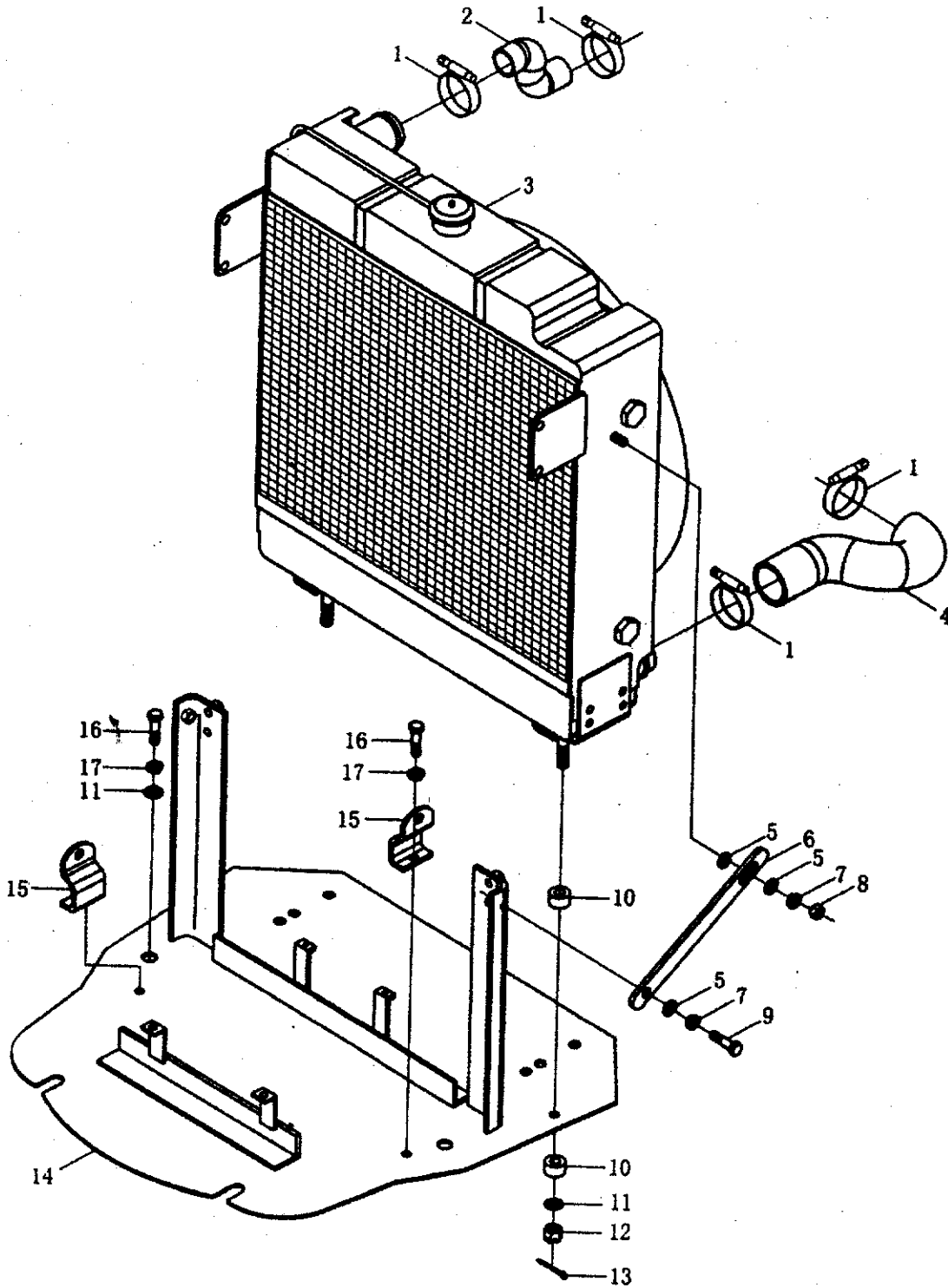


Tytan 404 and 604

CHASSIS PARTS

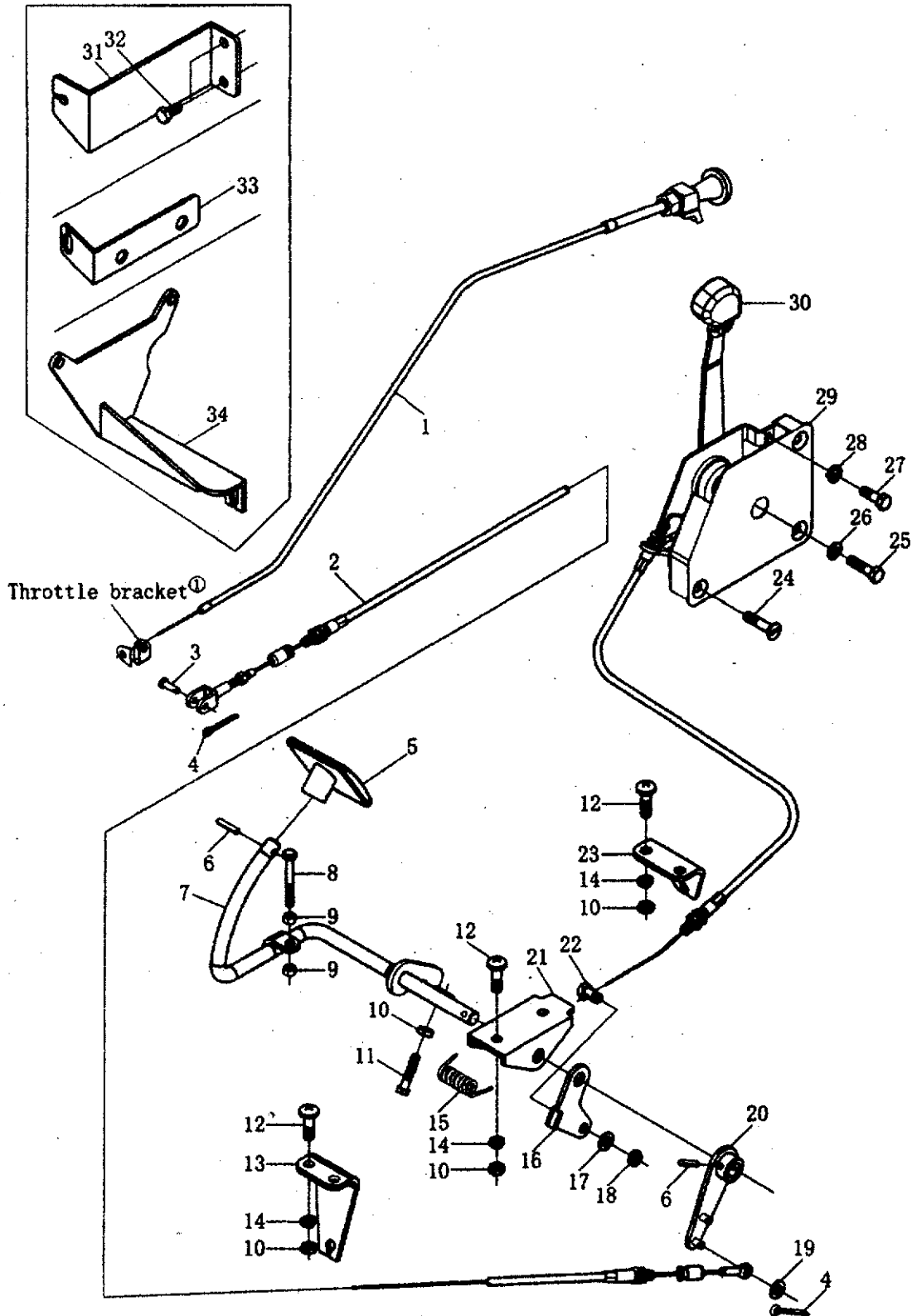


13 Cooling System Assembly - 2



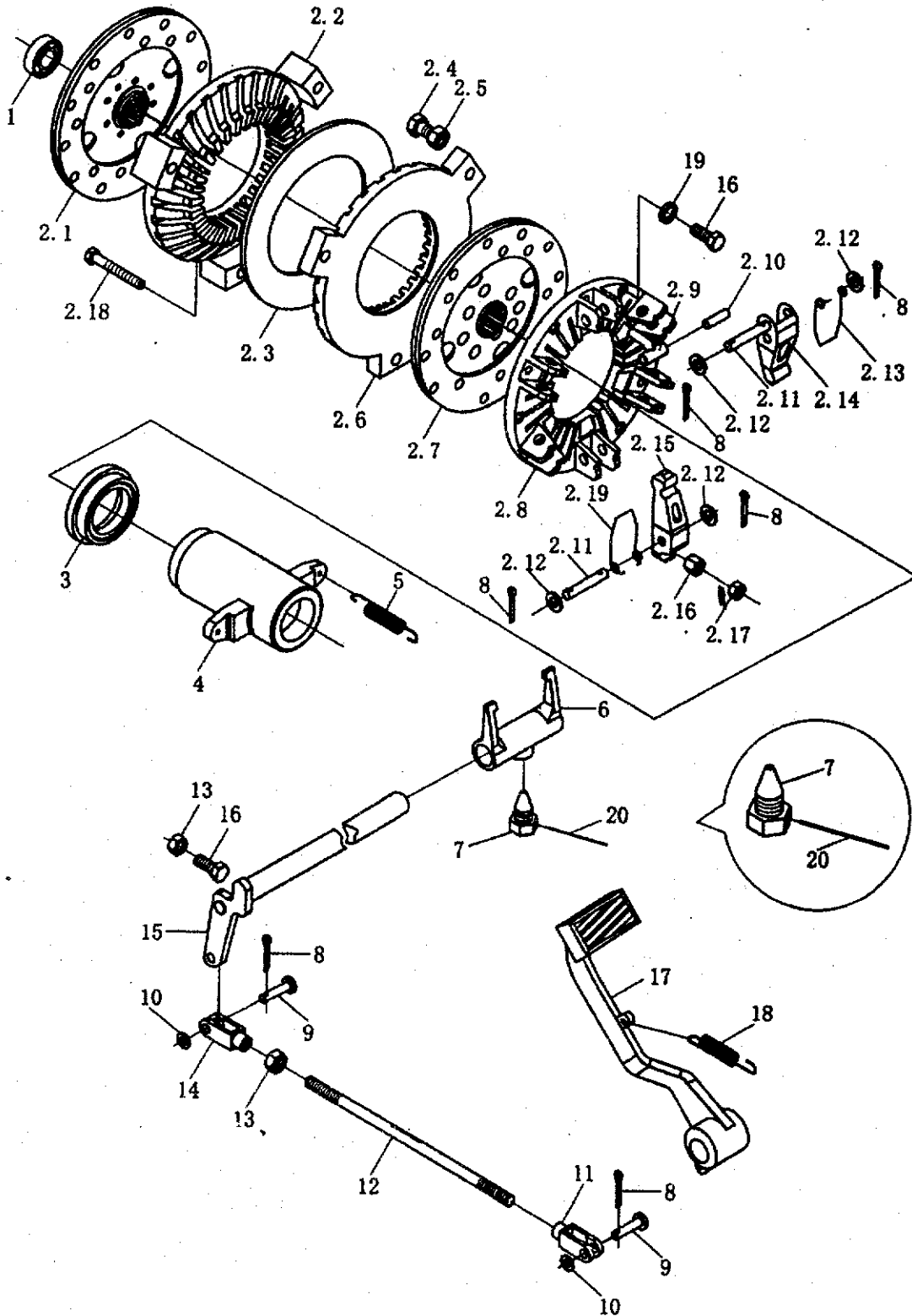
Note: For models with Xinchai engines and Quanchai engines.

20 Control Mechanism Assembly of the Engine

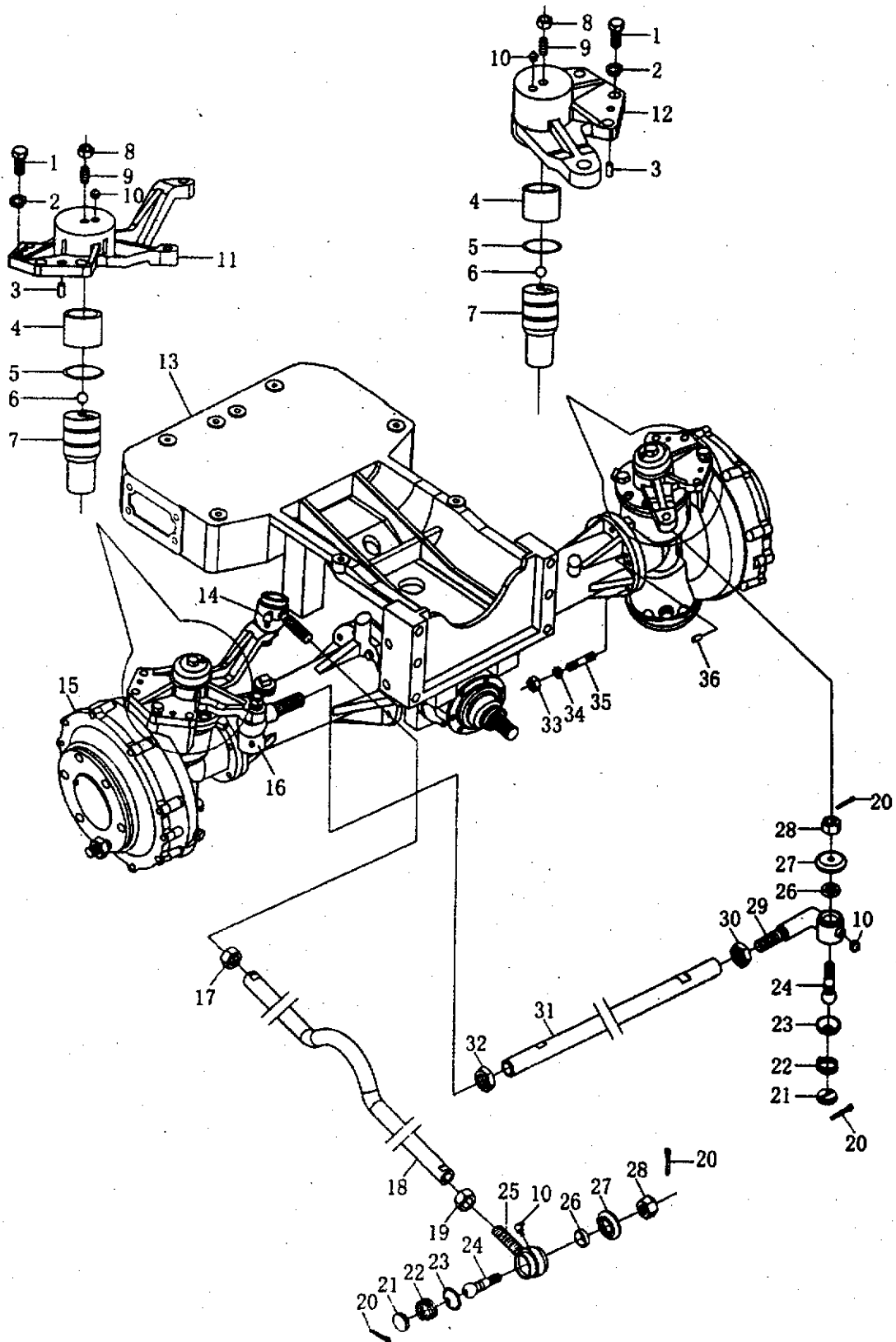


Note: ① Attach to engine.

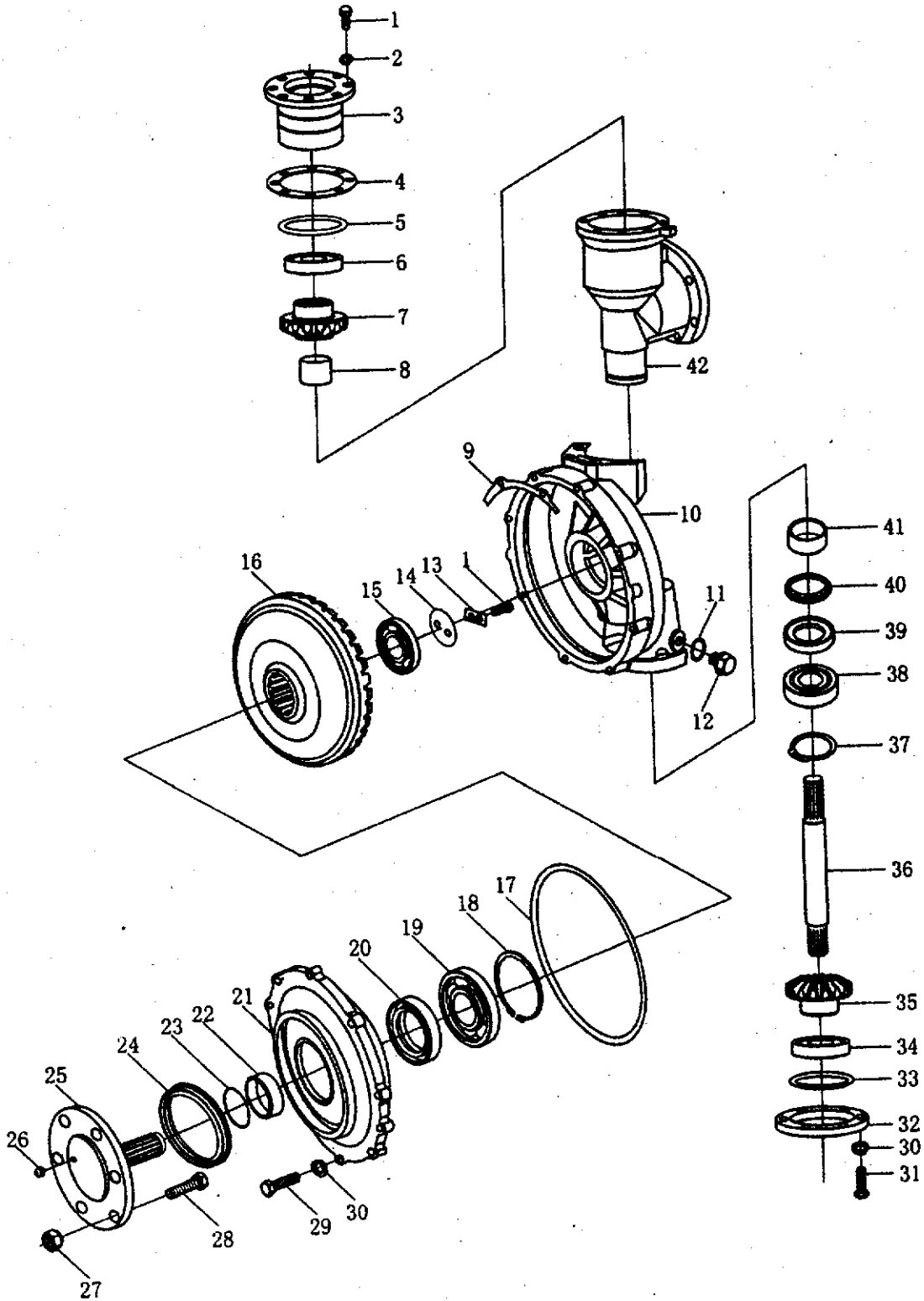
21 Dual - Stage Clutch Assembly



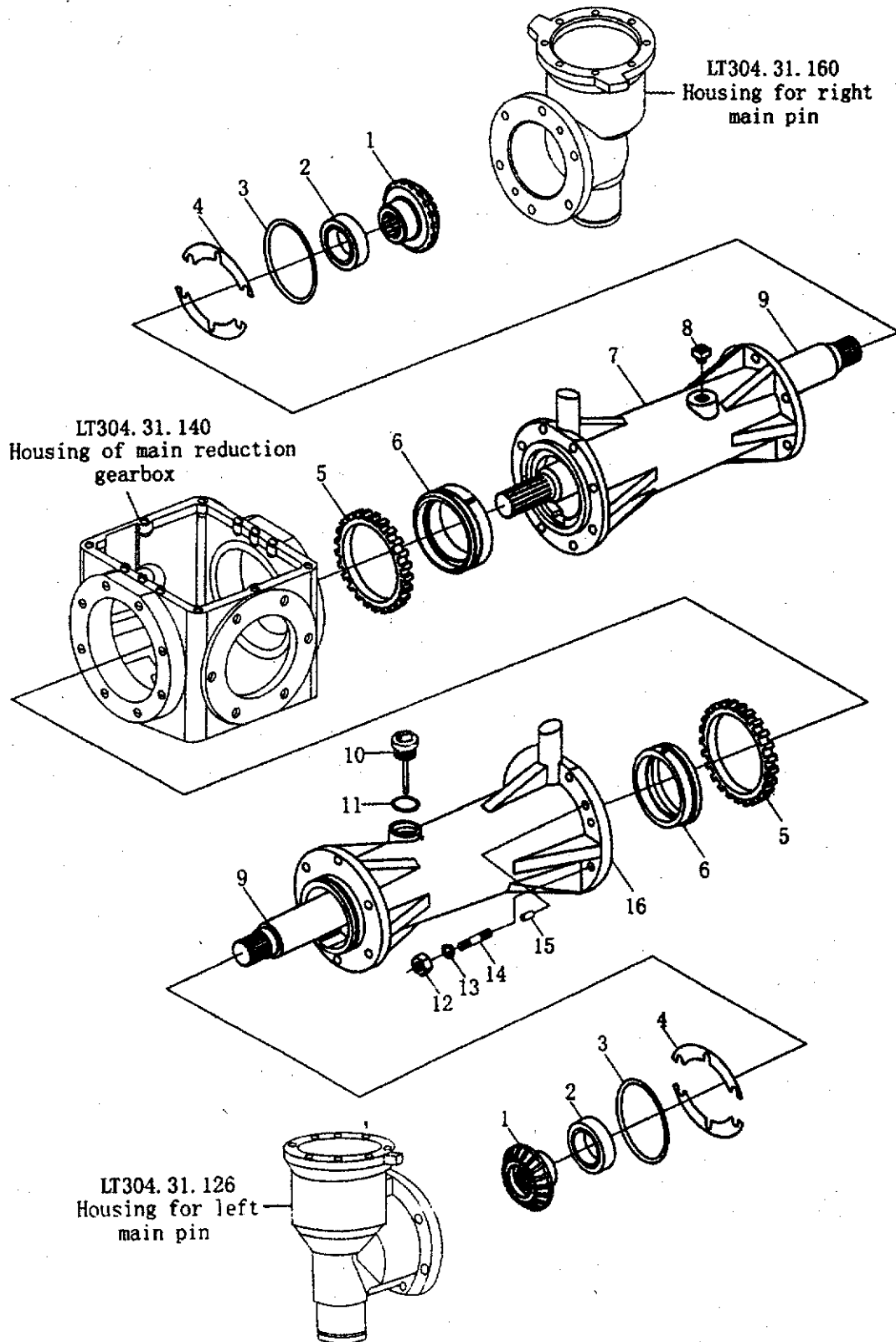
31 Front Driving Axle Assembly - 1



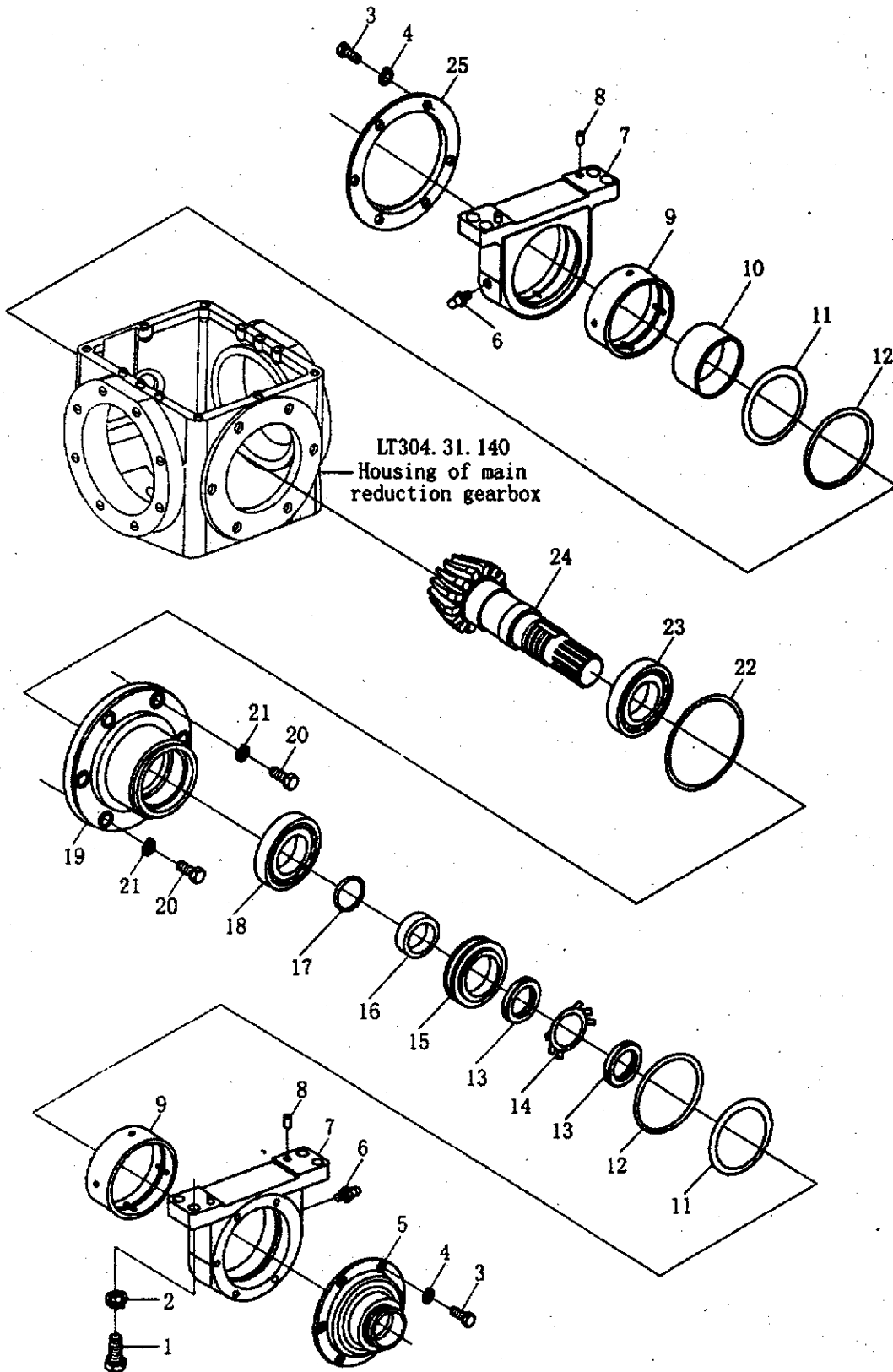
31 Front Driving Axle Assembly - 2



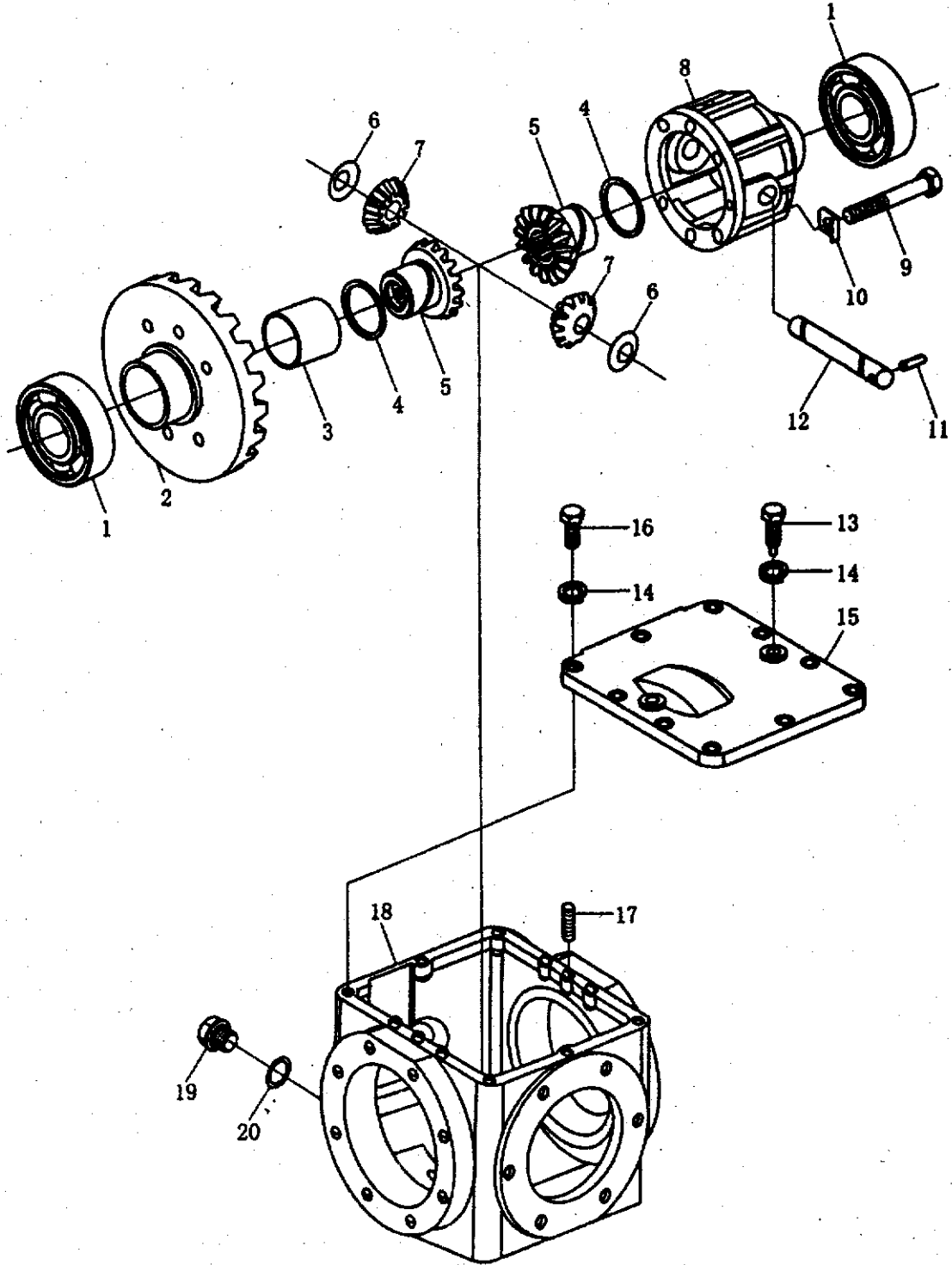
31 Front Driving Axle Assembly - 3



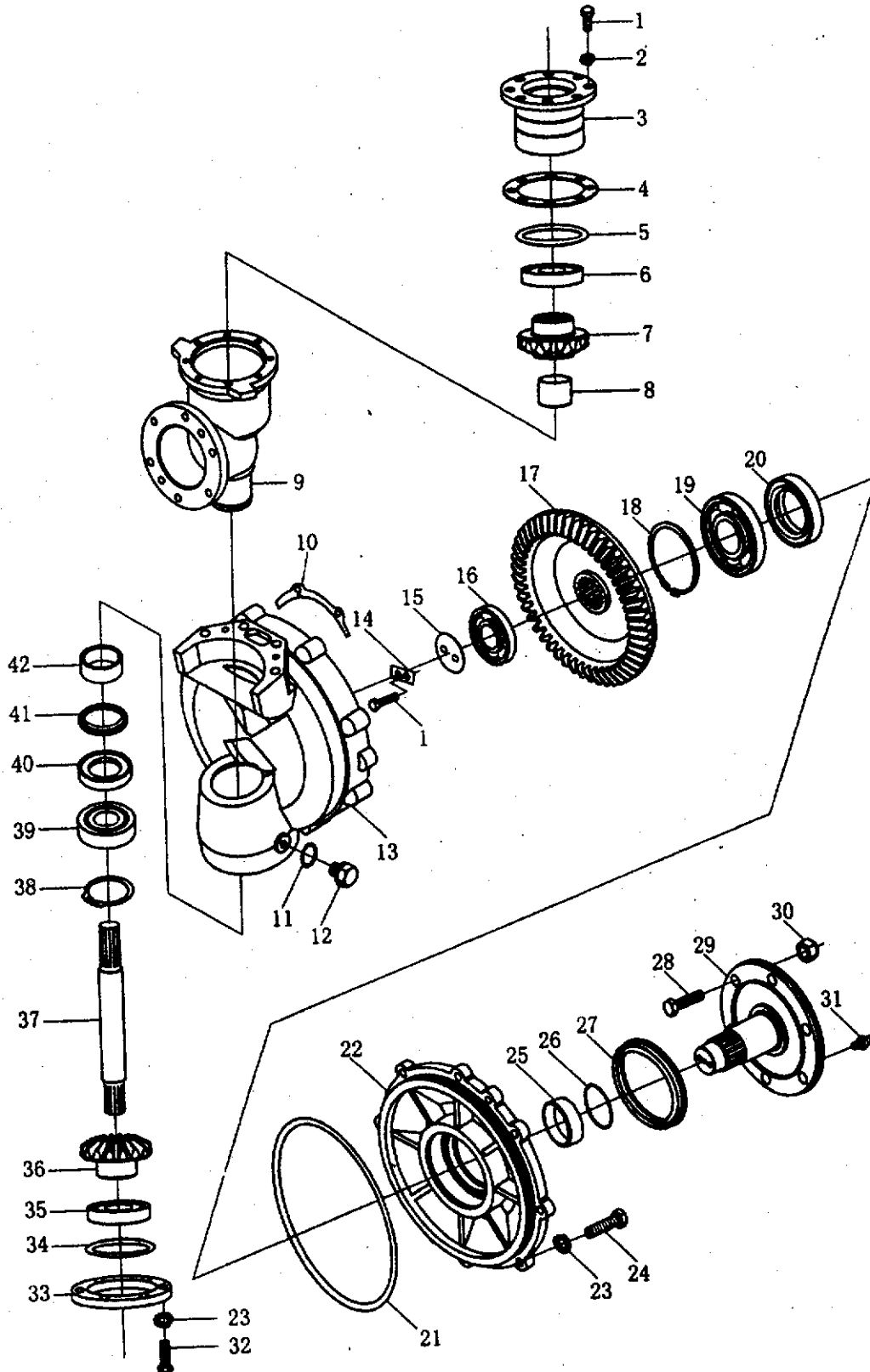
31 Front Driving Axle Assembly - 4



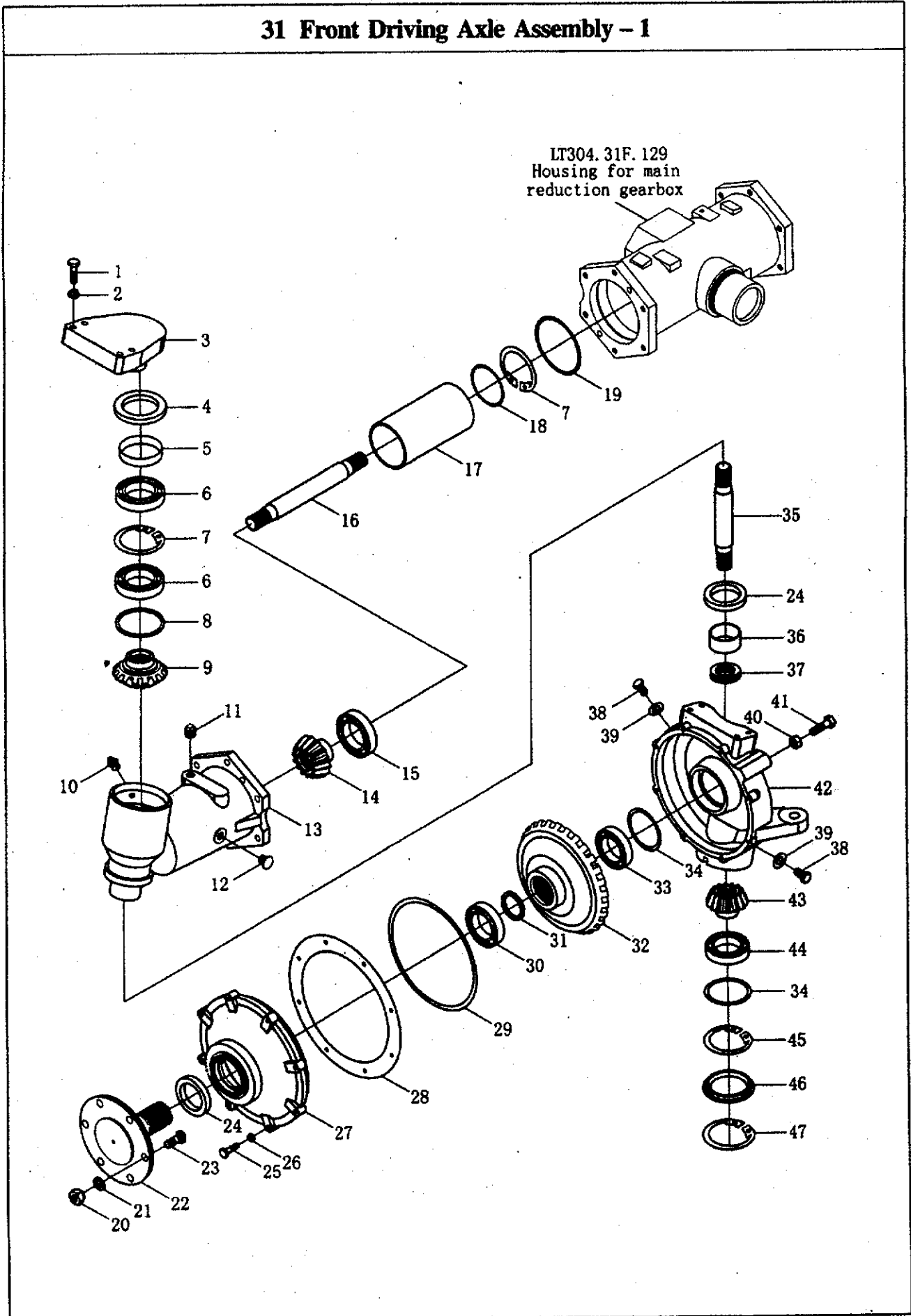
31 Front Driving Axle Assembly - 5



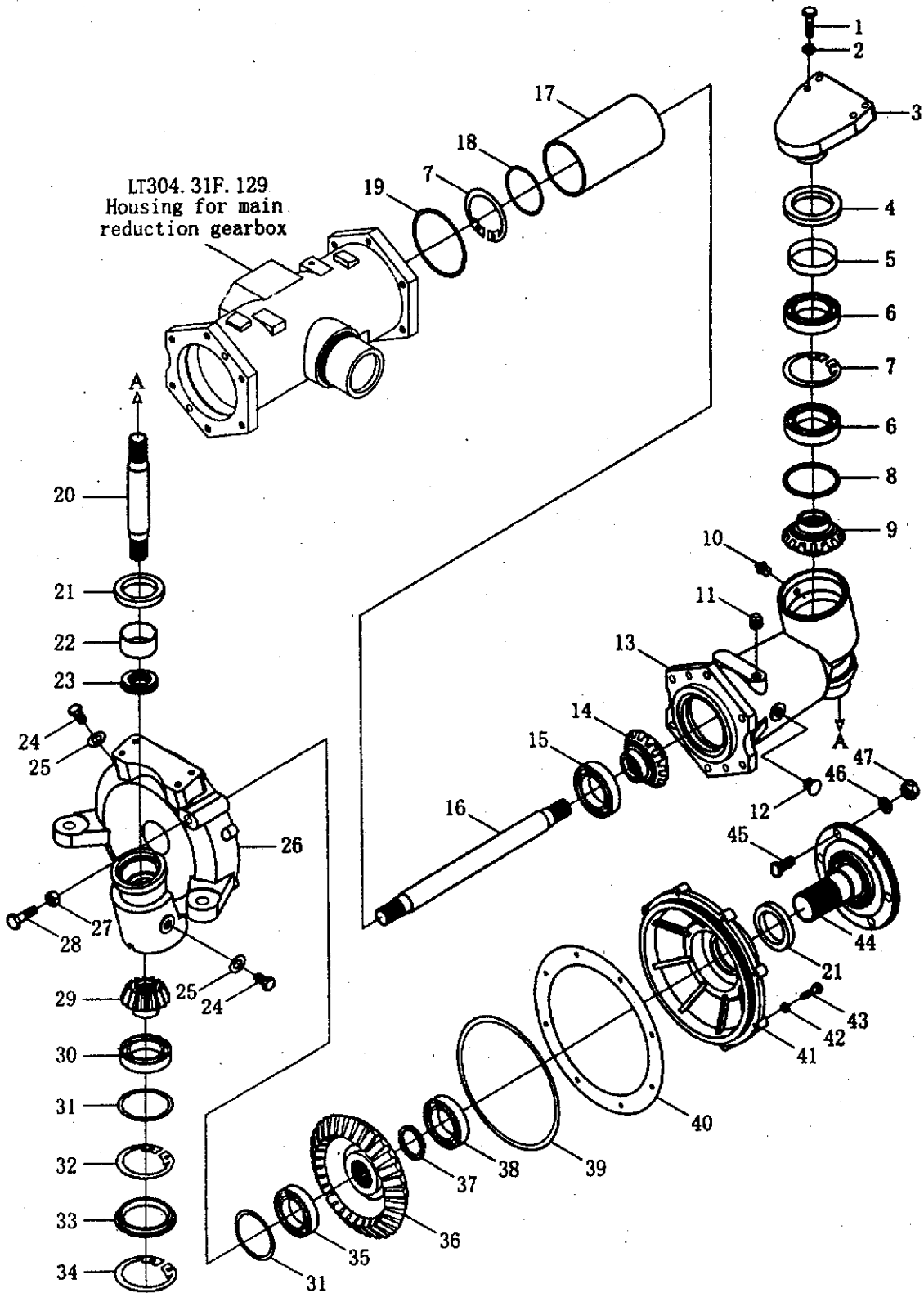
31 Front Driving Axle Assembly - 6



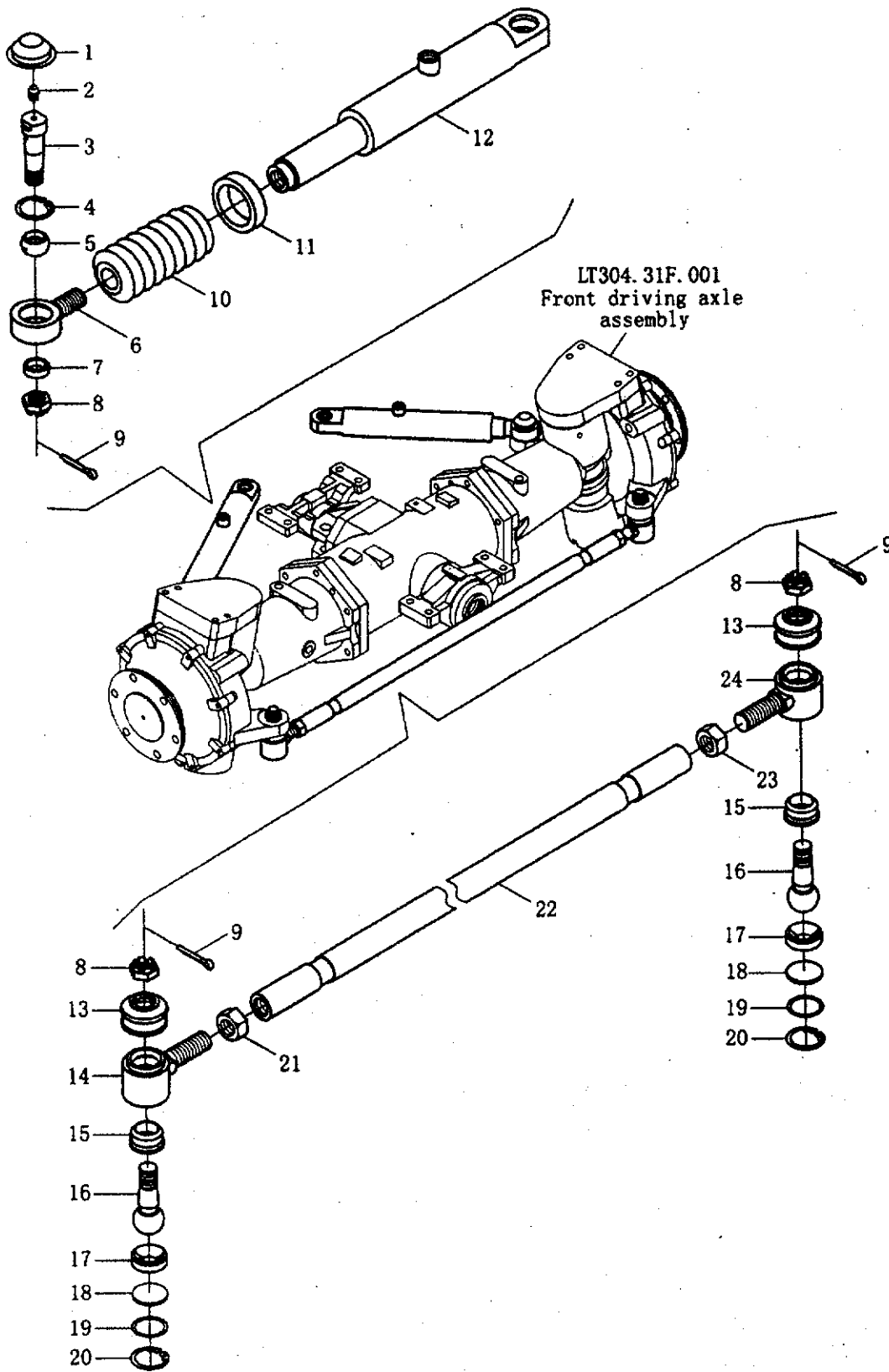
31 Front Driving Axle Assembly - 1



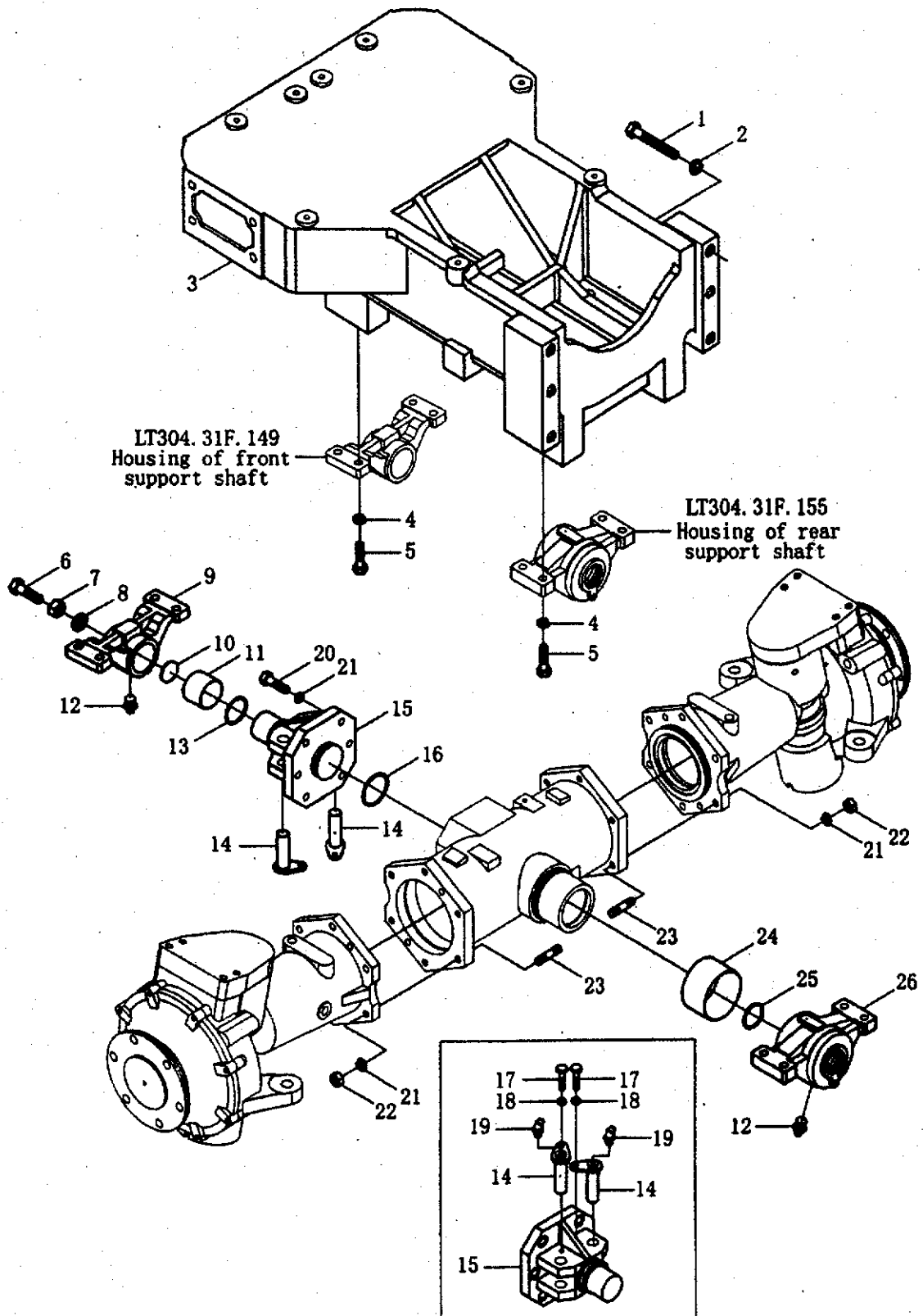
31 Front Driving Axle Assembly - 3



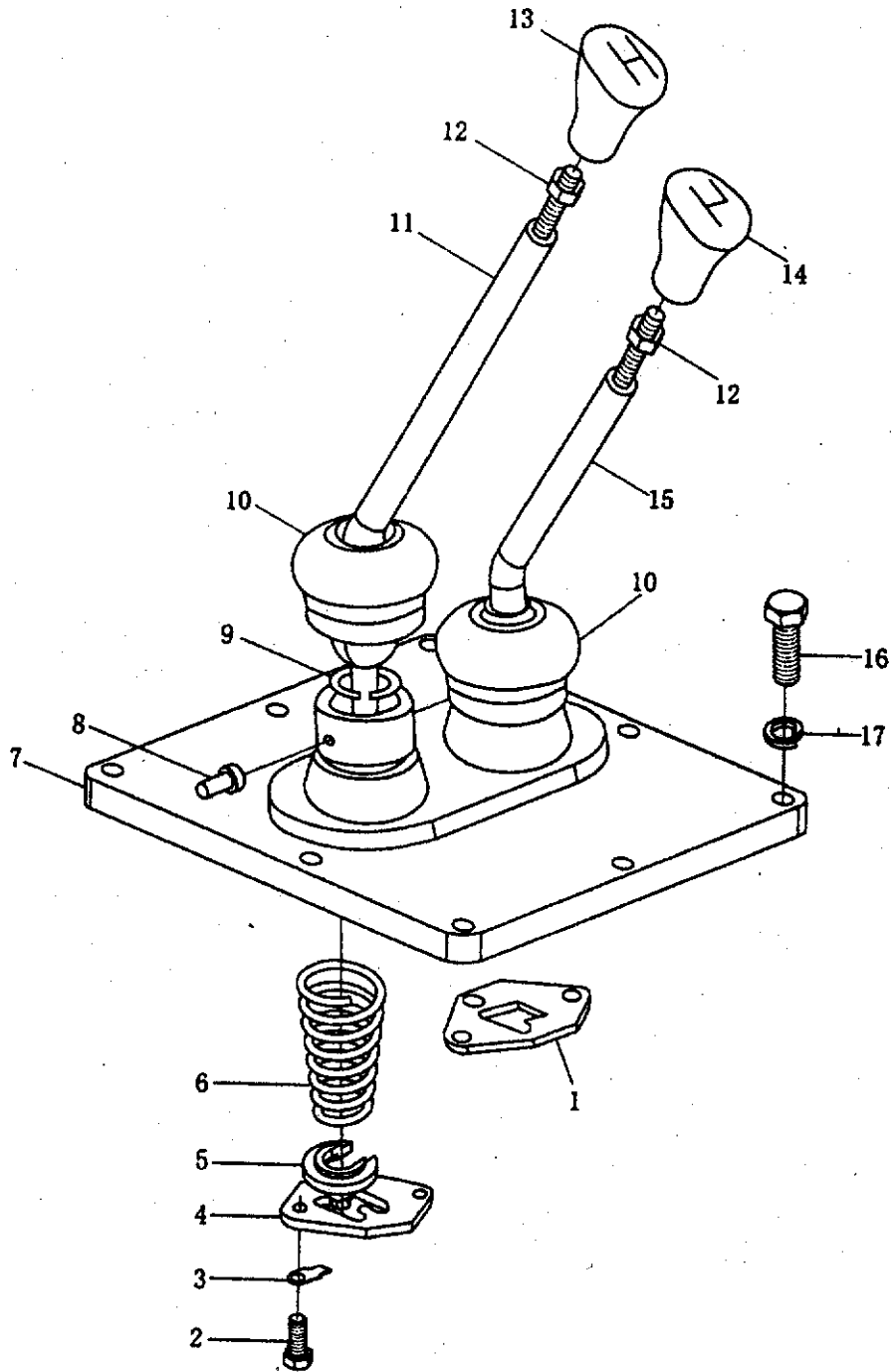
31 Front Driving Axle Assembly - 4



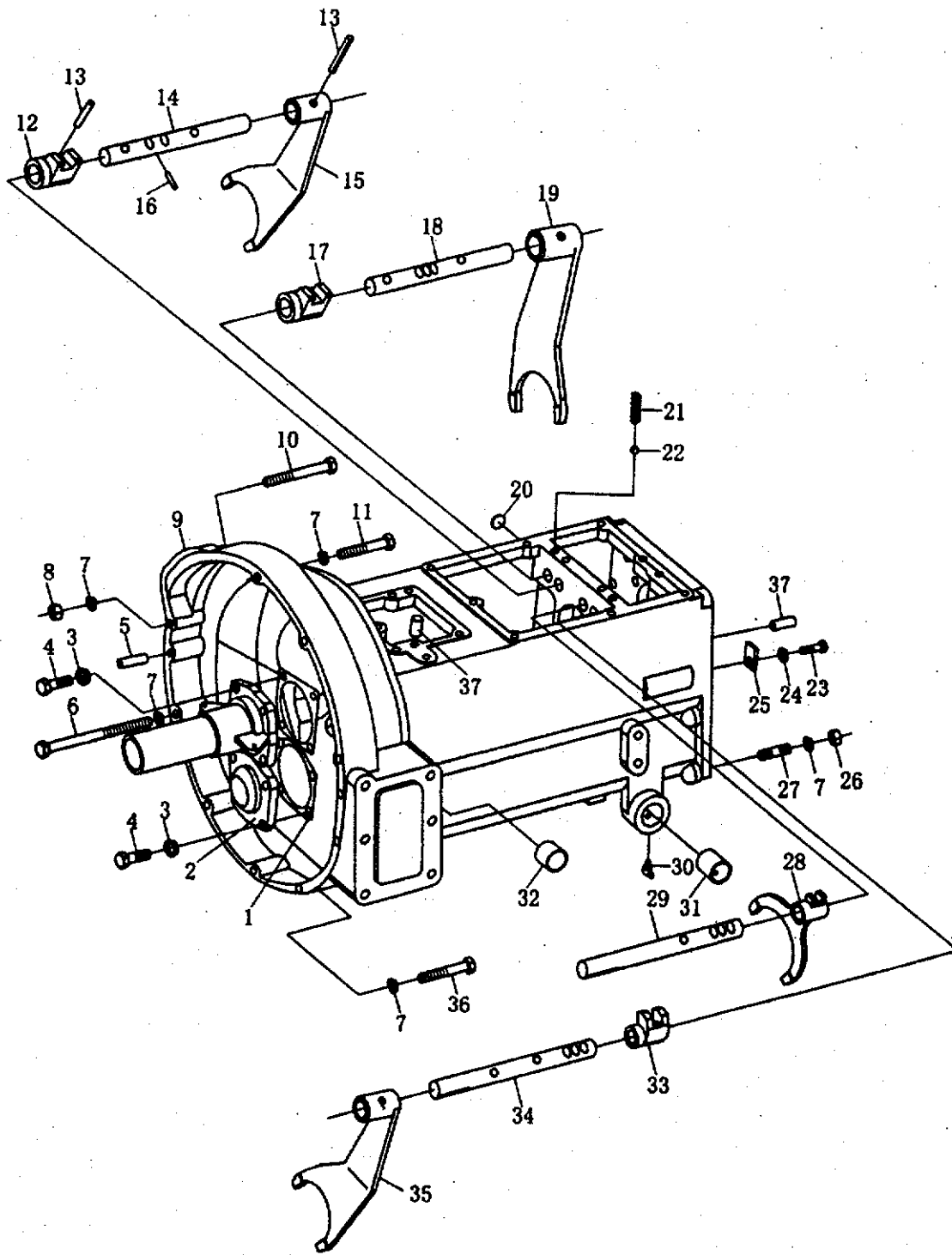
31 Front Driving Axle Assembly - 5



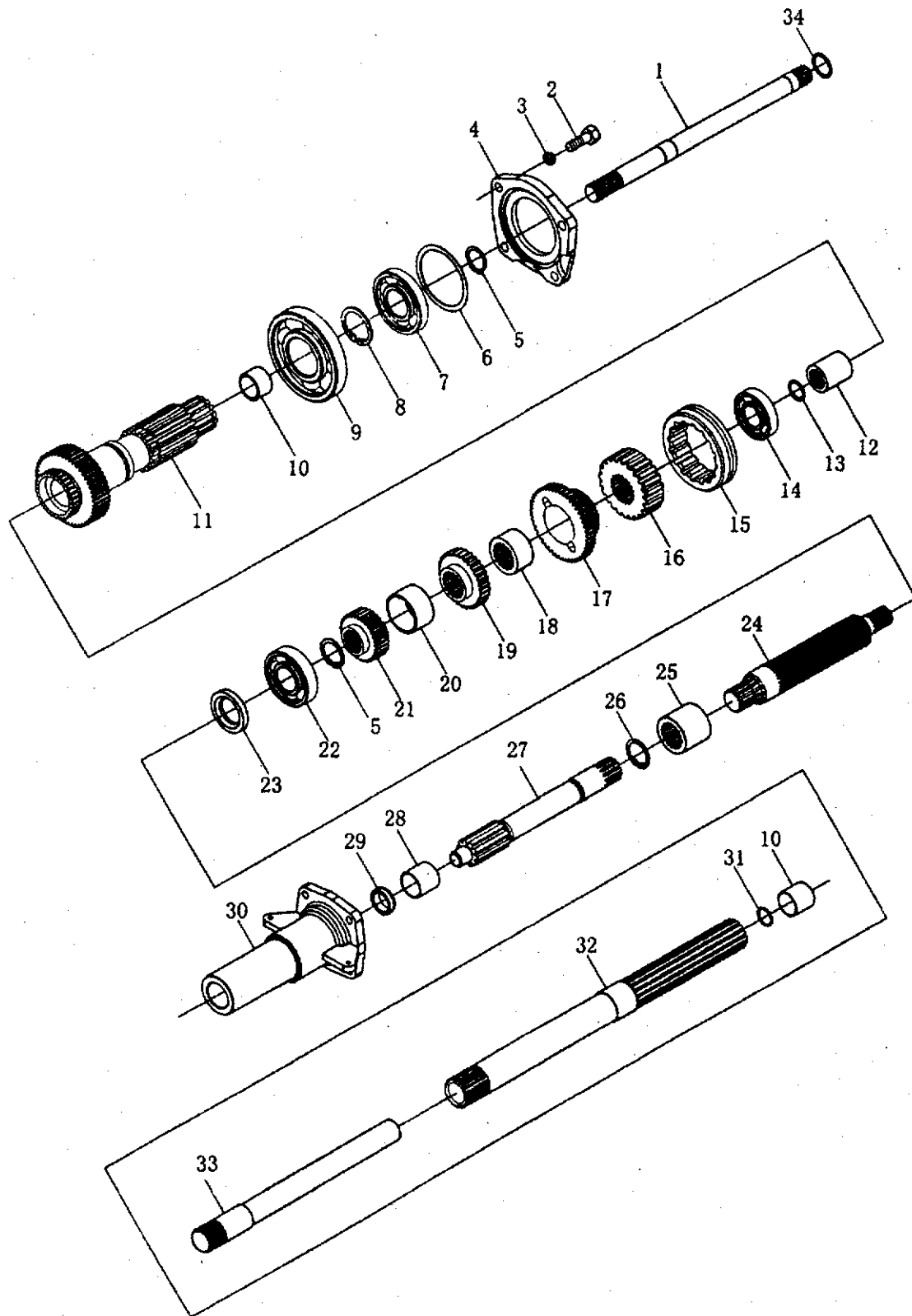
37 Gearbox Assembly - 1



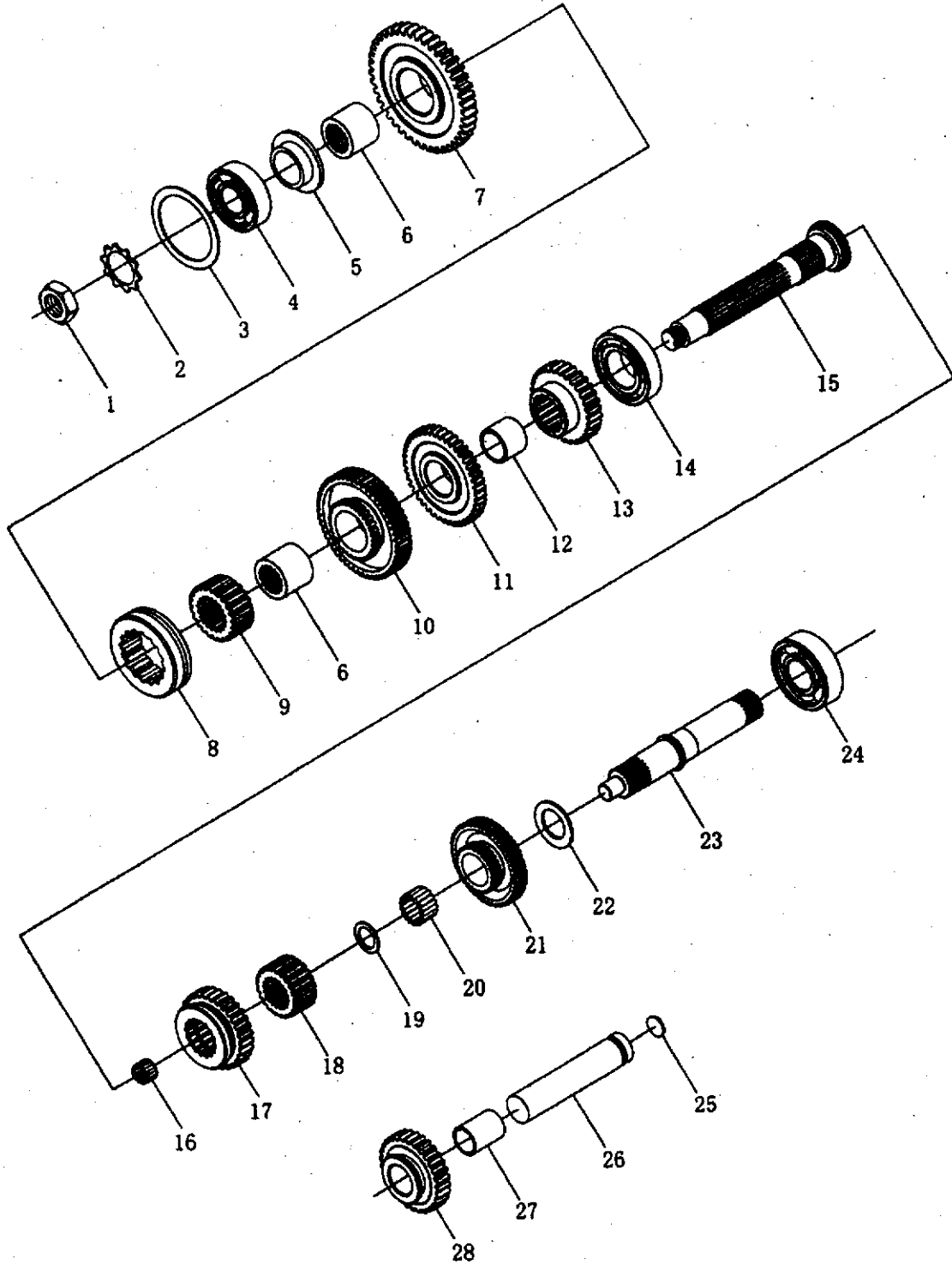
37 Gearbox Assembly - 2



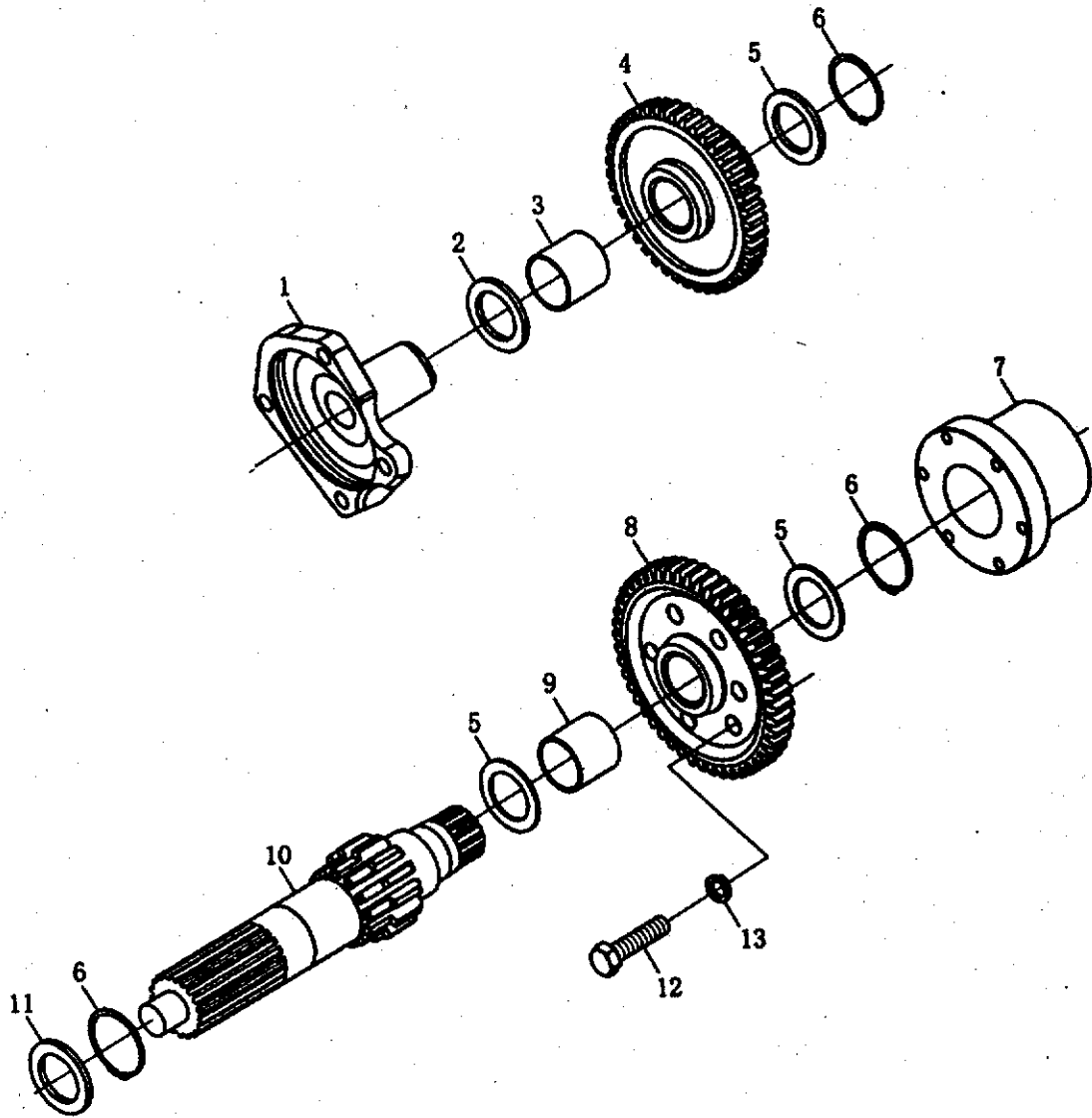
37 Gearbox Assembly - 3



37 Gearbox Assembly - 4

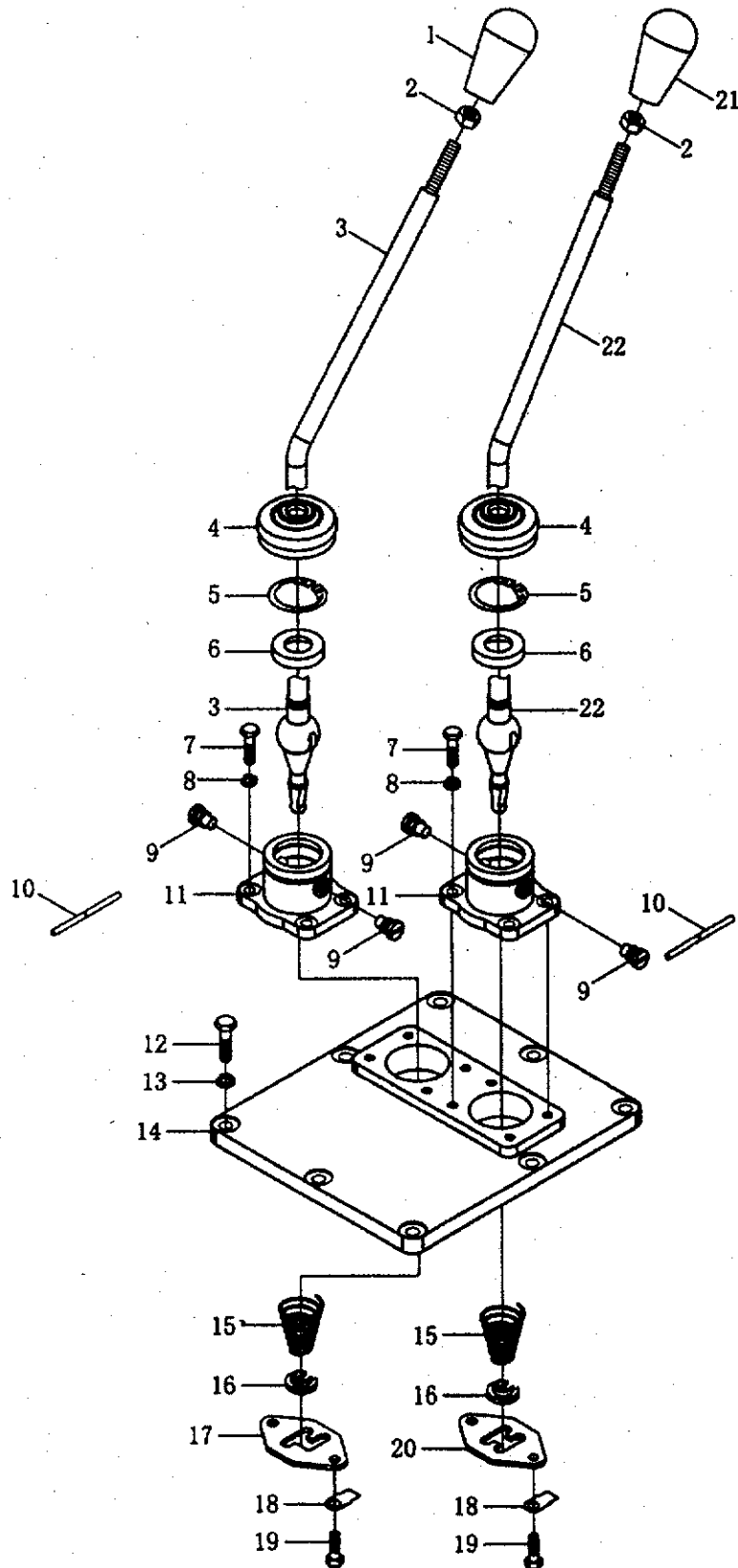


37 Gearbox Assembly - 5^①

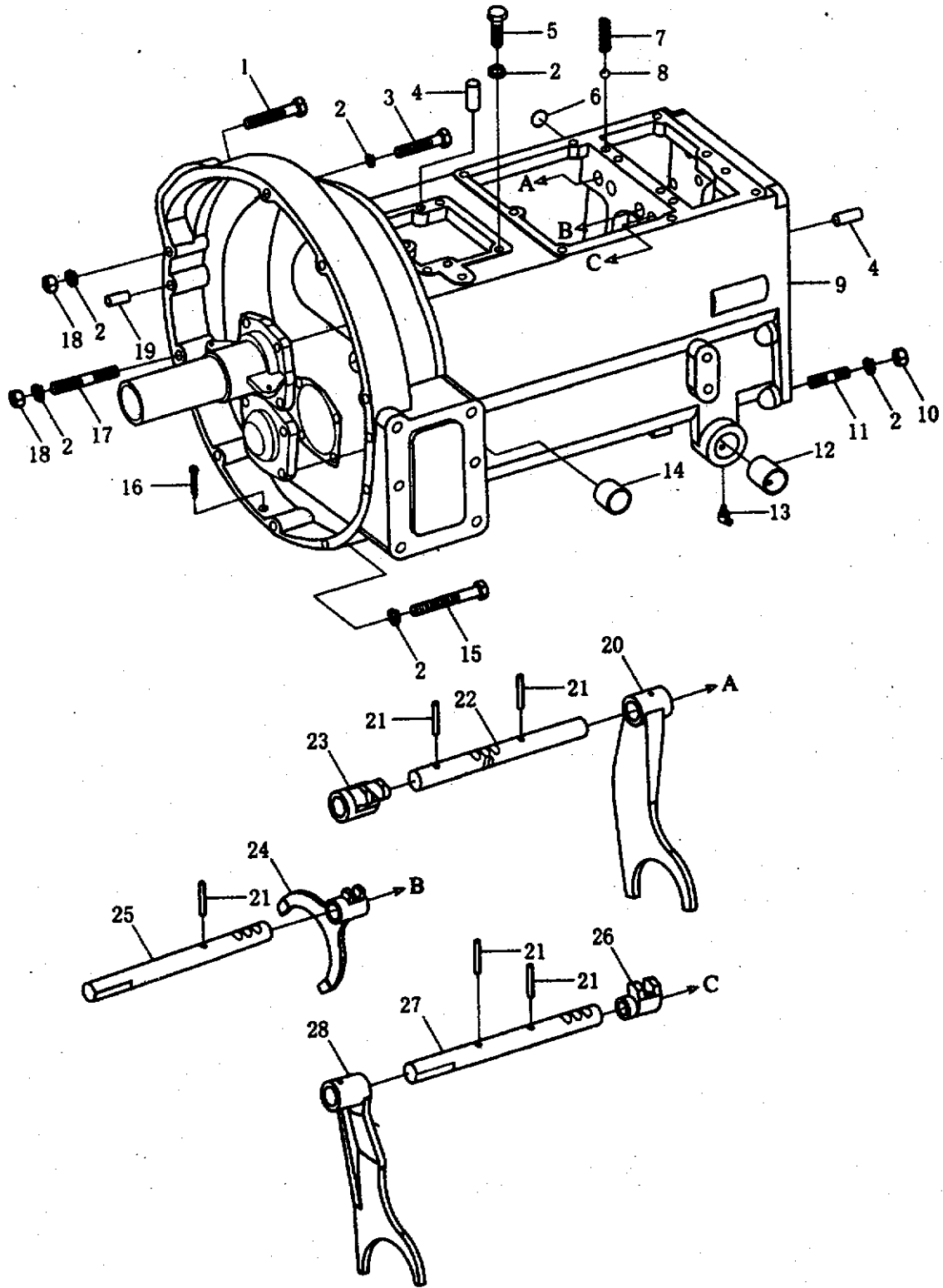


Note: ① Only for creeping gear, optional.

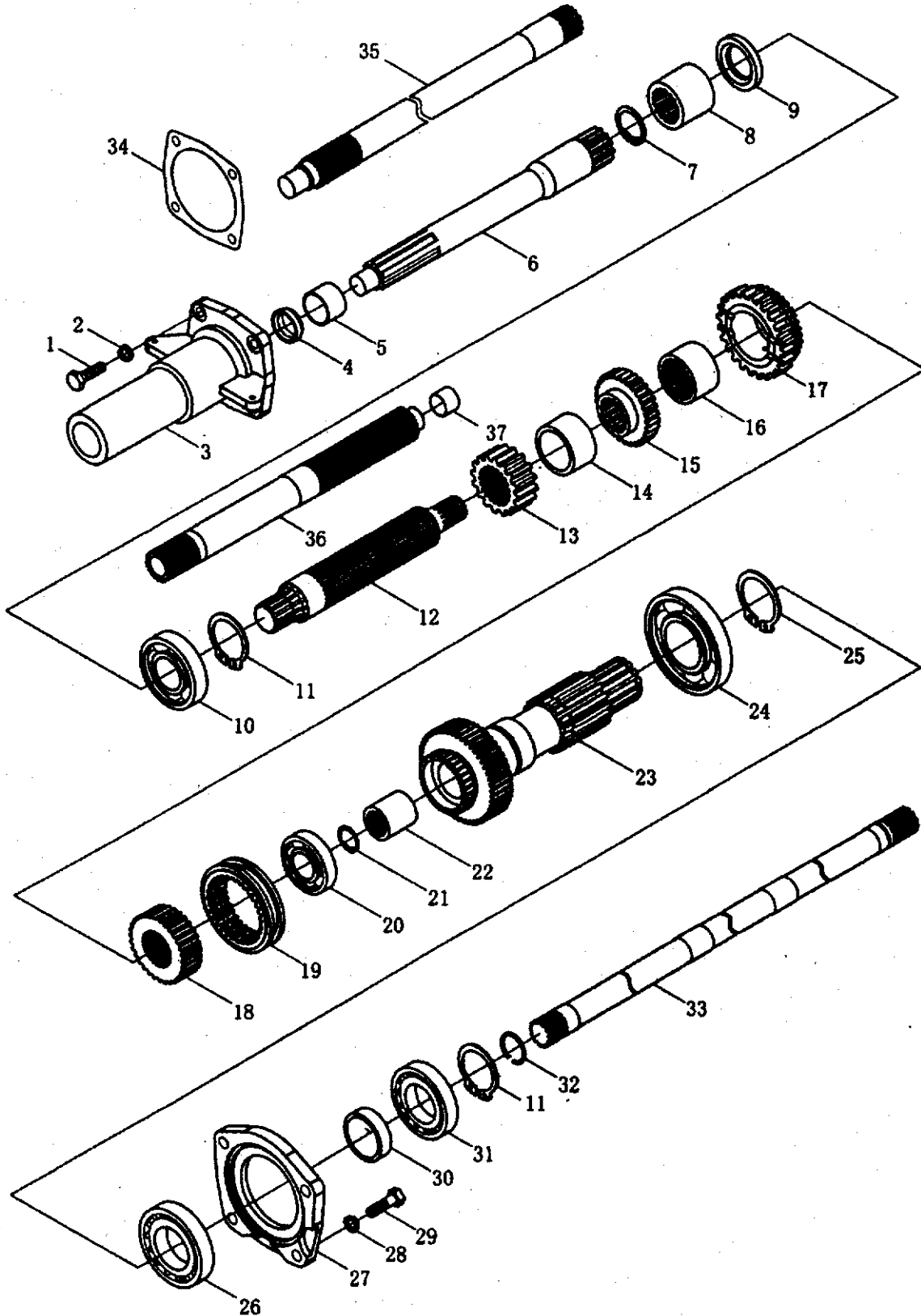
37 Gearbox Assembly - 1 (For Models with Shuttle - Action Gear Change)



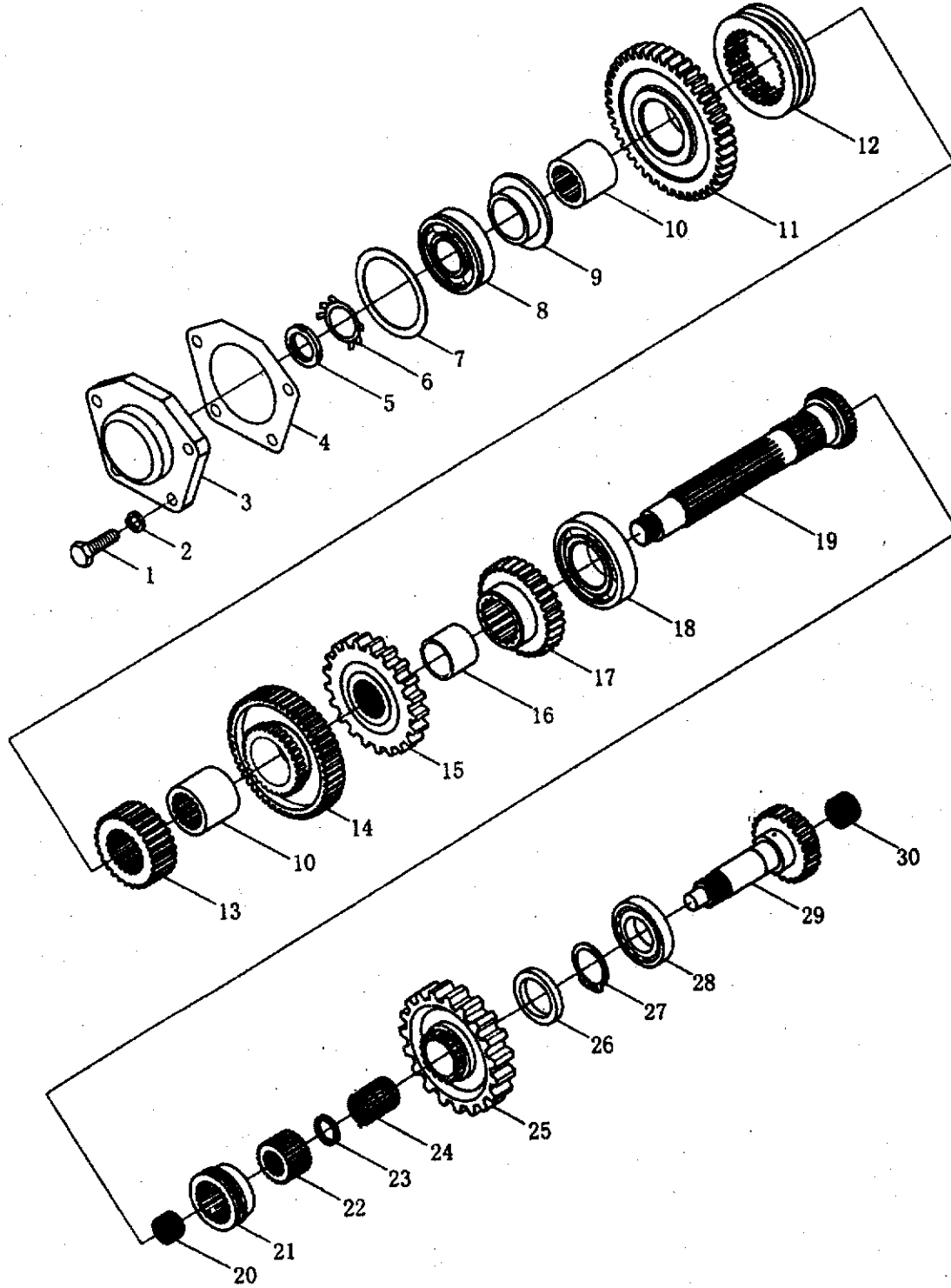
37 Gearbox Assembly - 2 (For Models with Shuttle - Action Gear Change)



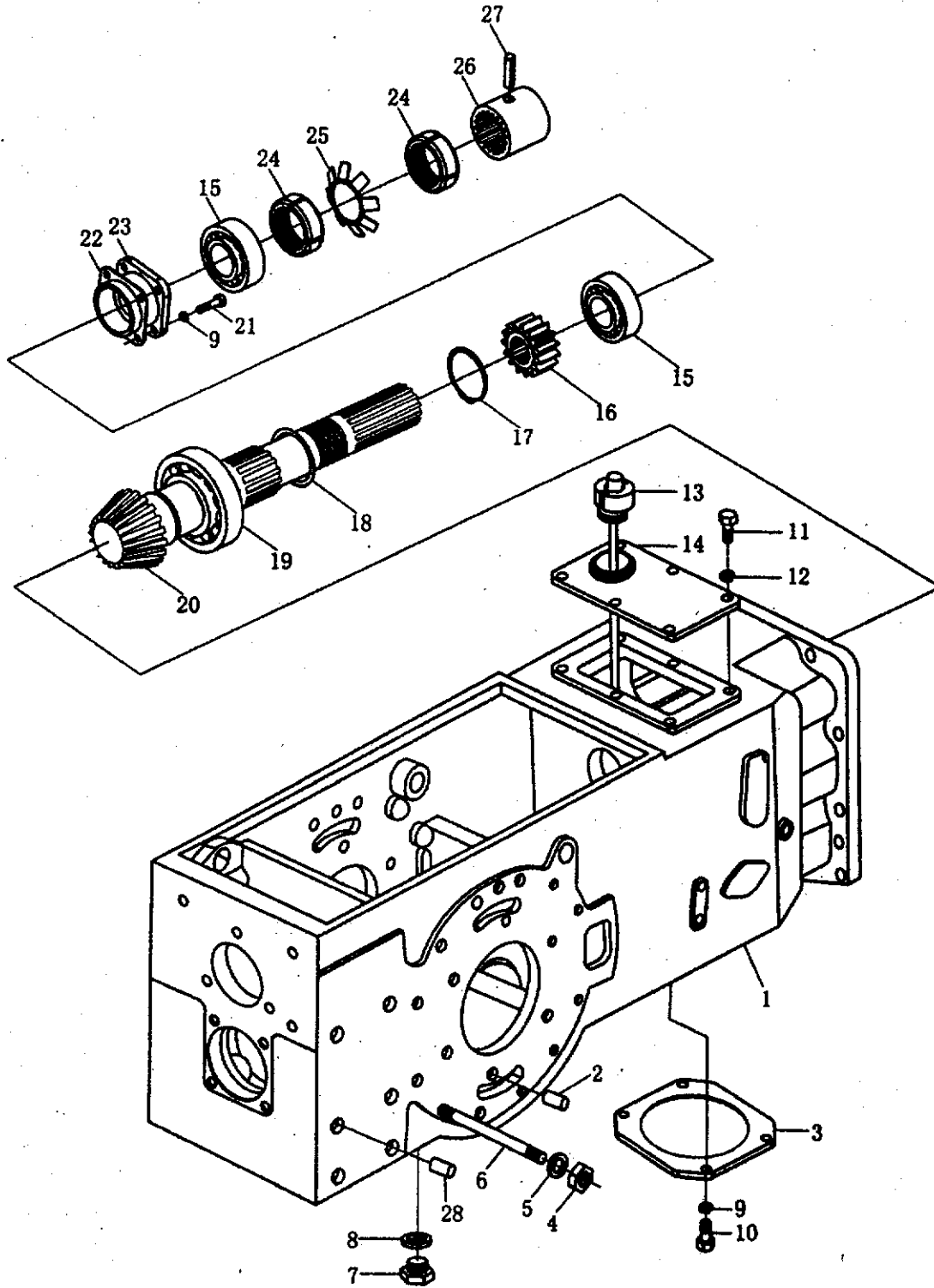
37 Gearbox Assembly - 3 (For Models with Shuttle - Action Gear Change)



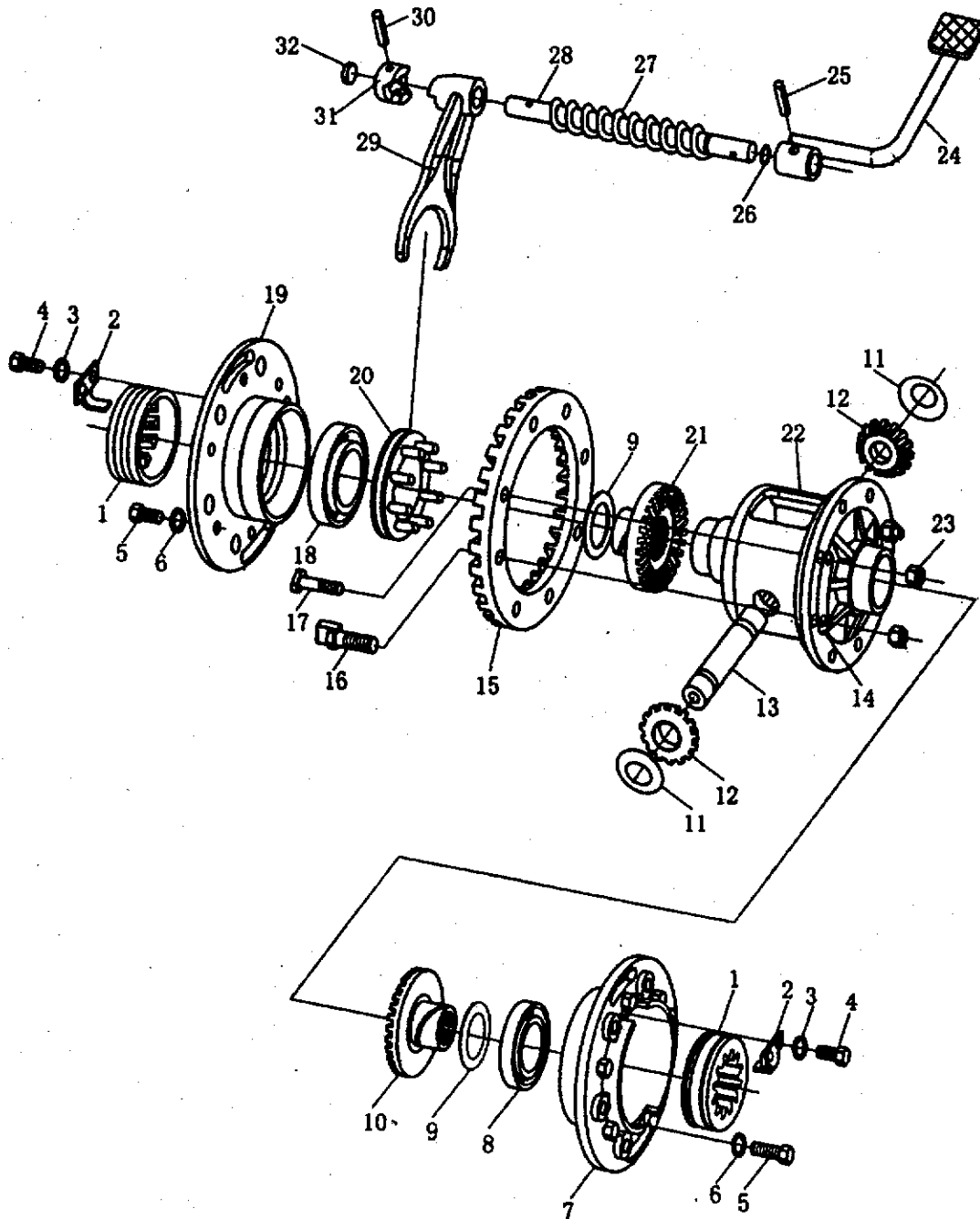
37 Gearbox Assembly - 4 (For Models with Shuttle - Action Gear Change)



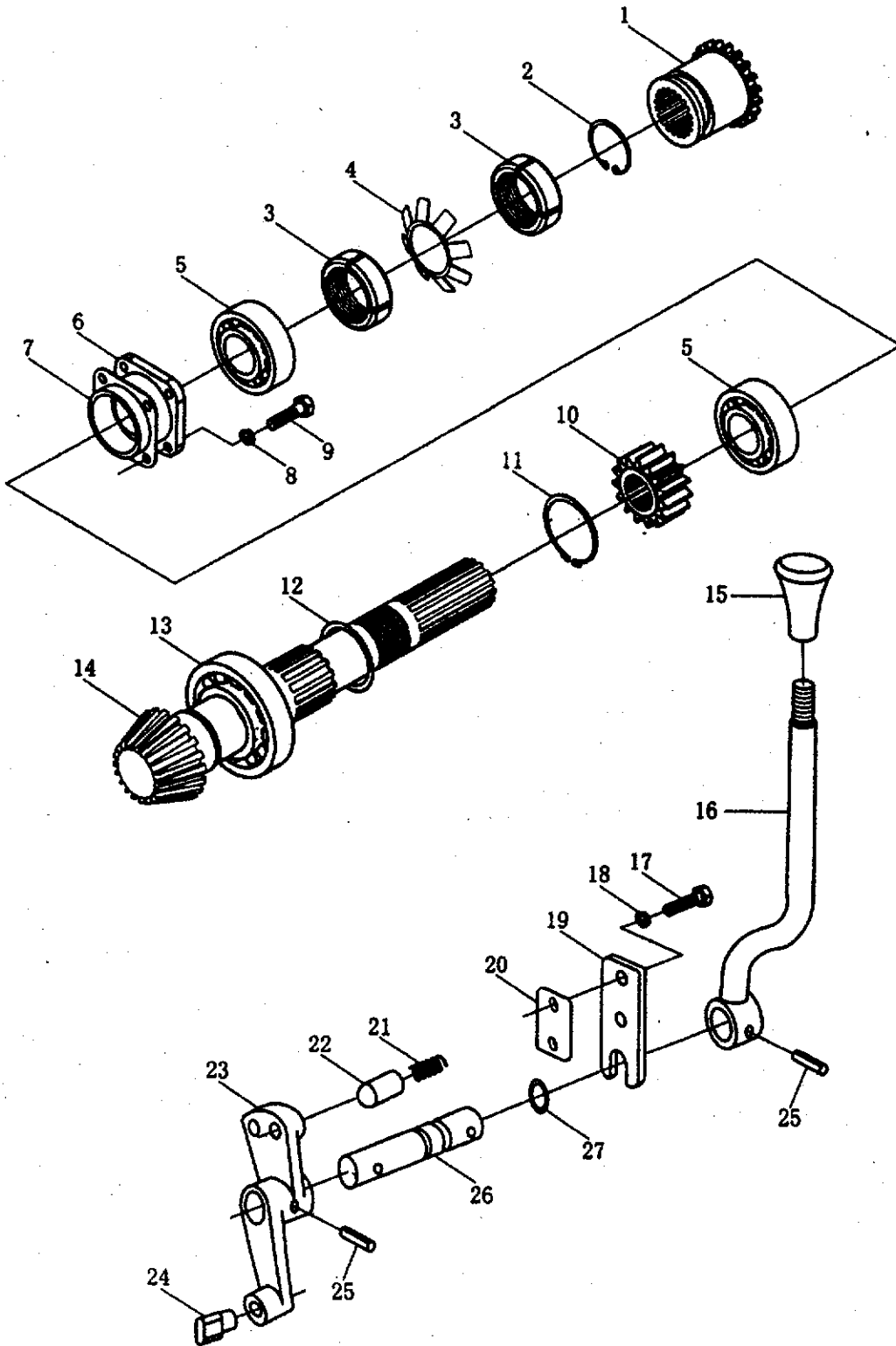
38 Rear Axle Assembly - 1



38 Rear Axle Assembly - 2

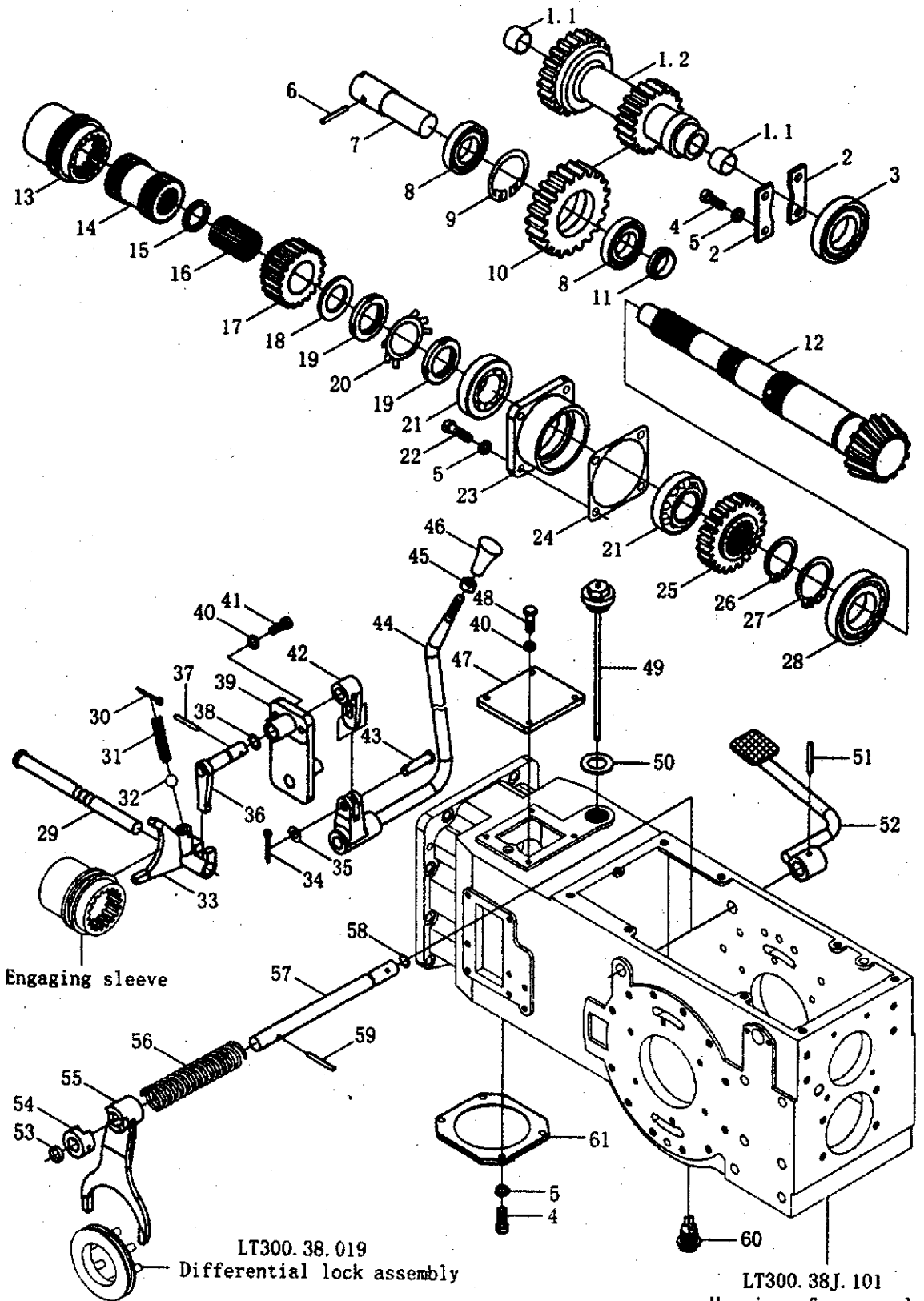


38 Rear Axle Assembly - 3^①

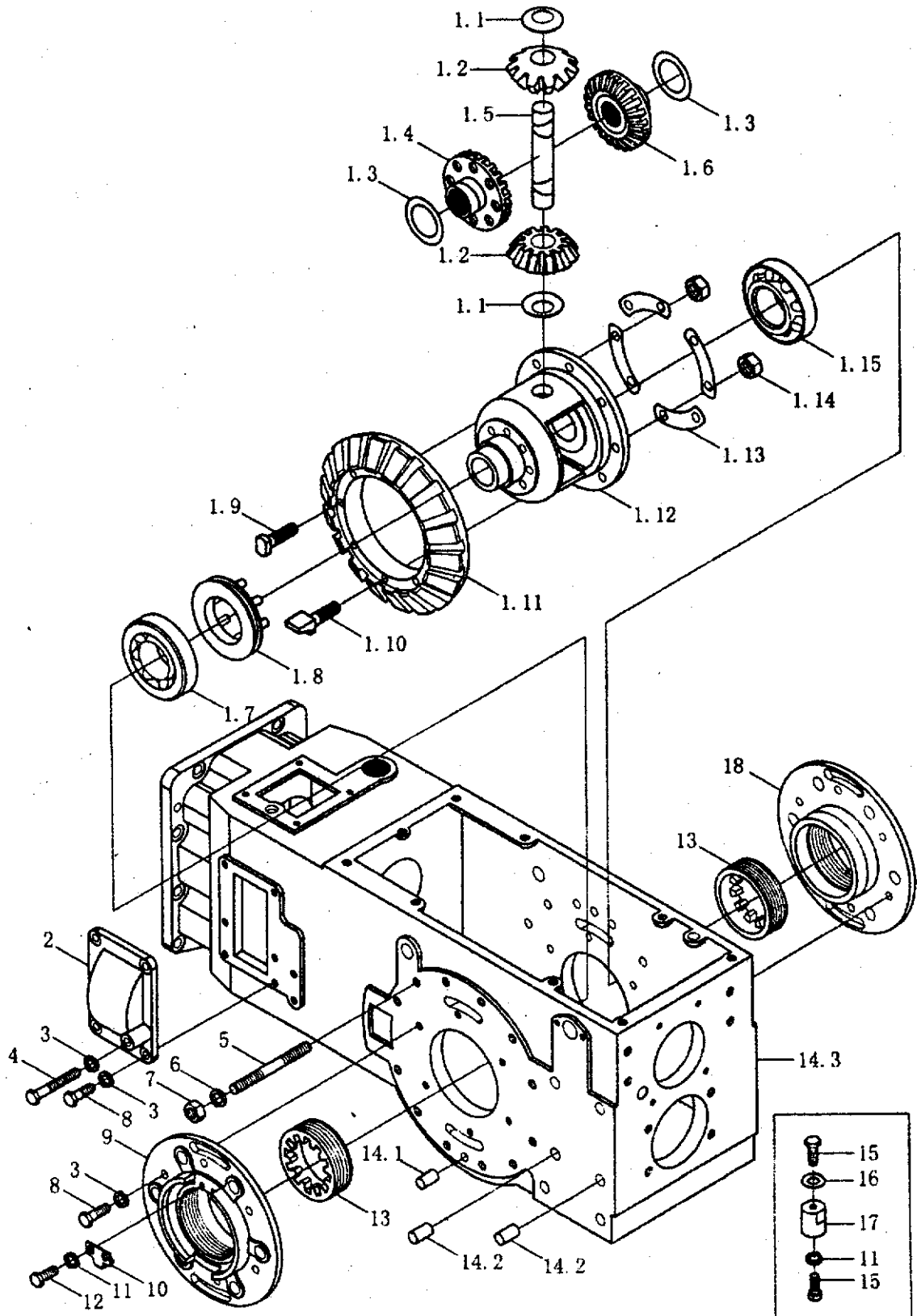


Note: ① Specific for creeping gear, optional.

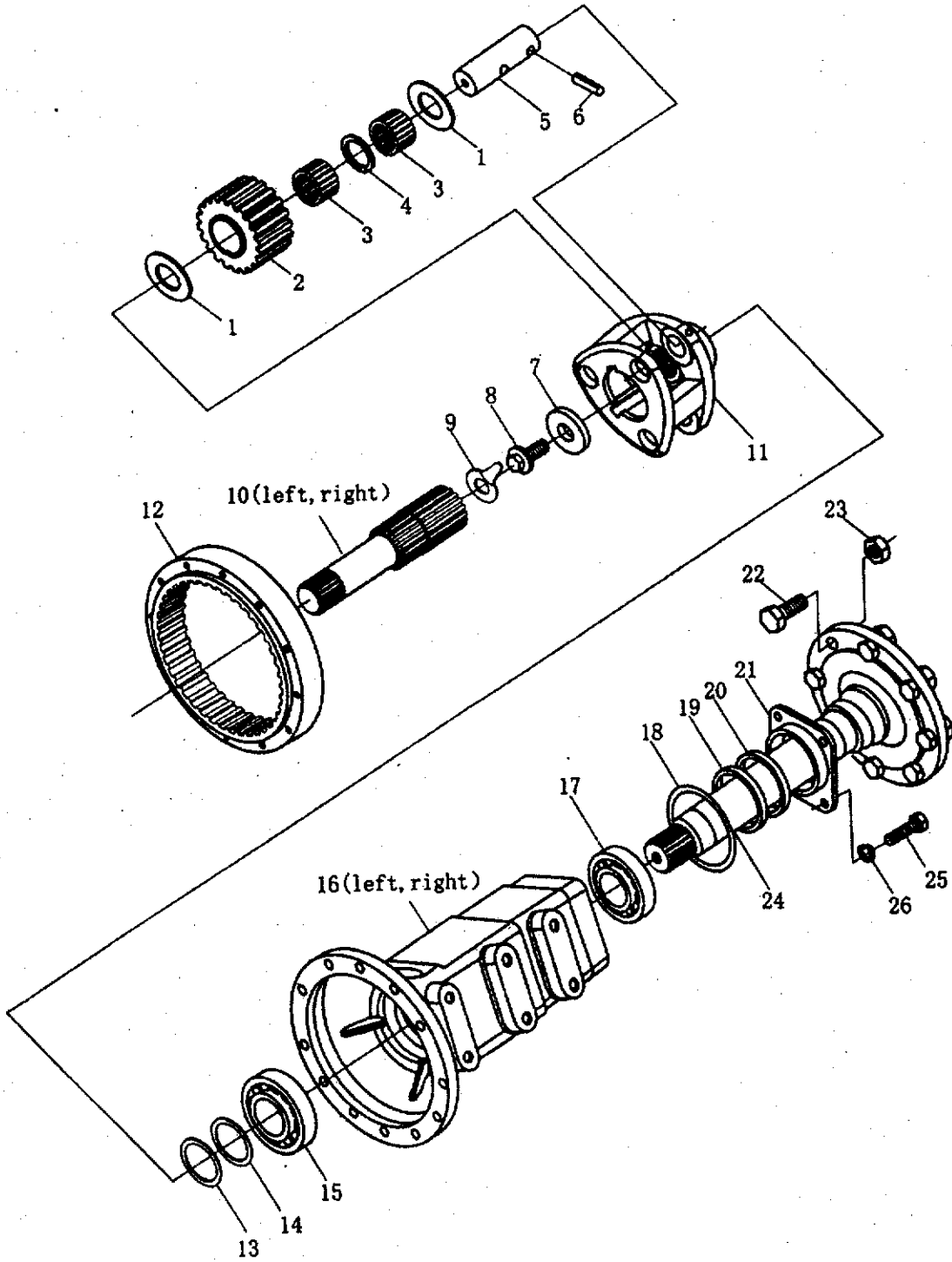
38 Rear Axle Assembly - 1 (For Models with Shuttle - Action Gear Change)



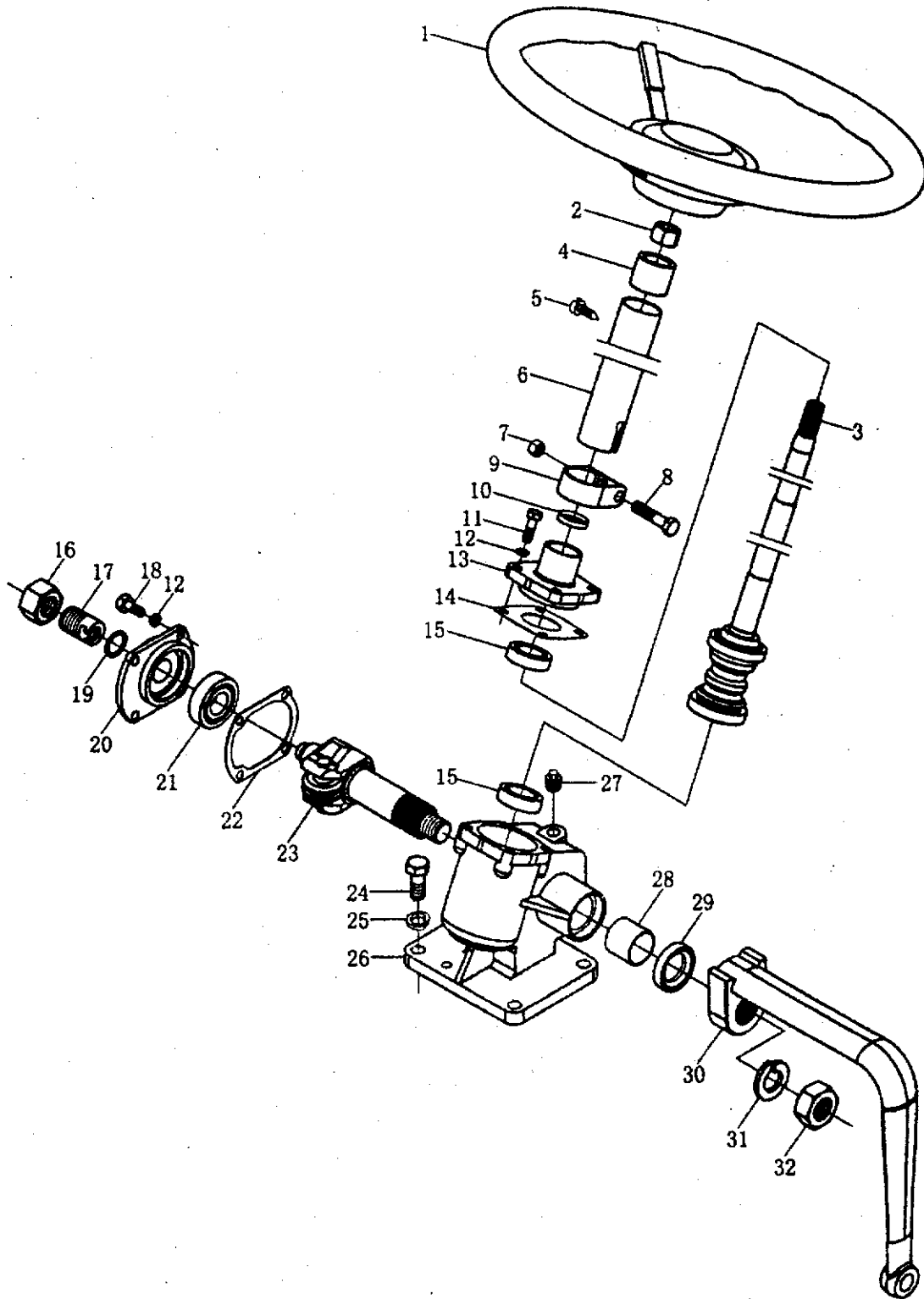
38 Rear Axle Assembly - 2 (For Models with Shuttle - Action Gear Change)



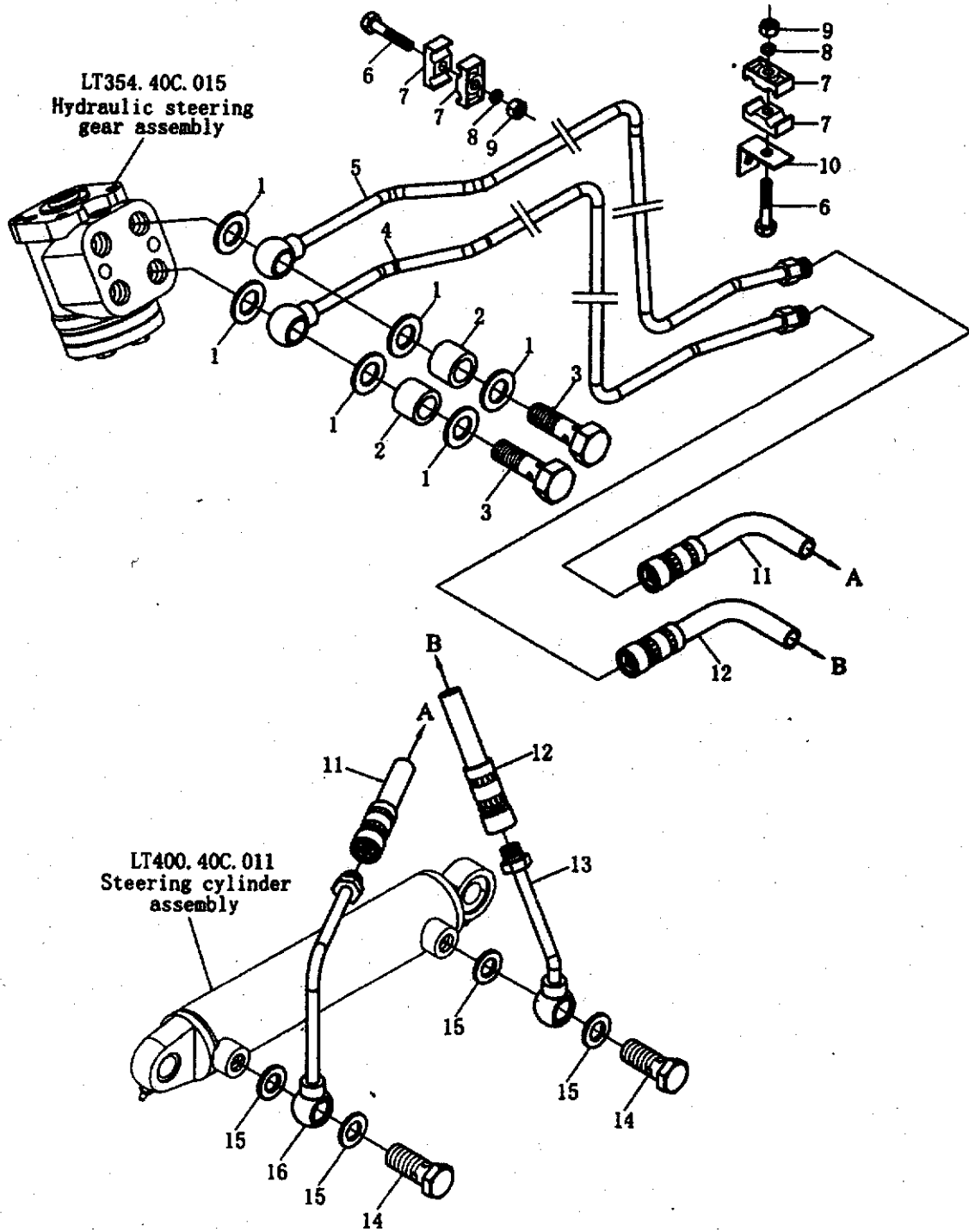
39 Final Drive Assembly



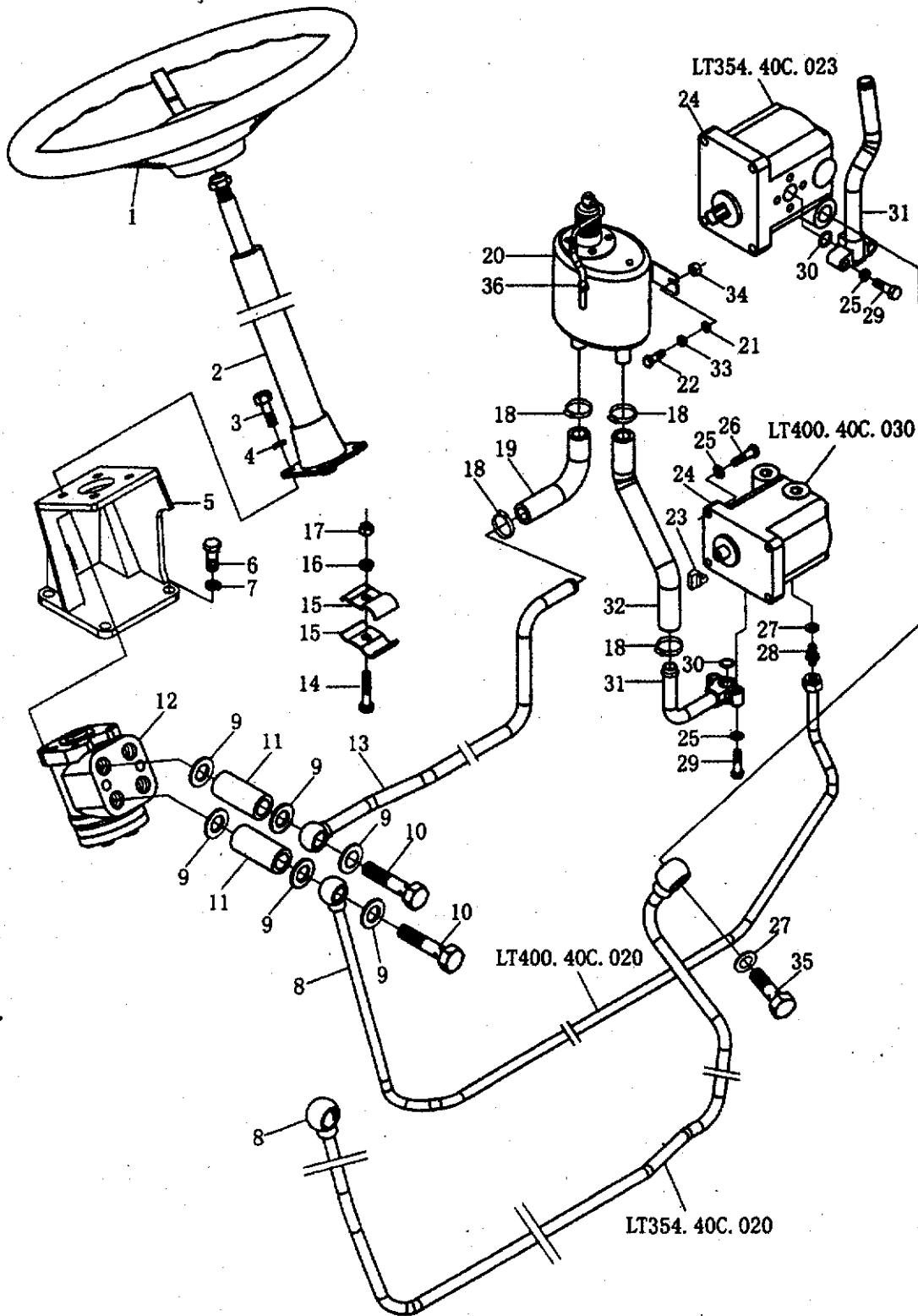
40 Steering Gear Installation Assembly - 1 (Machinery Steering)



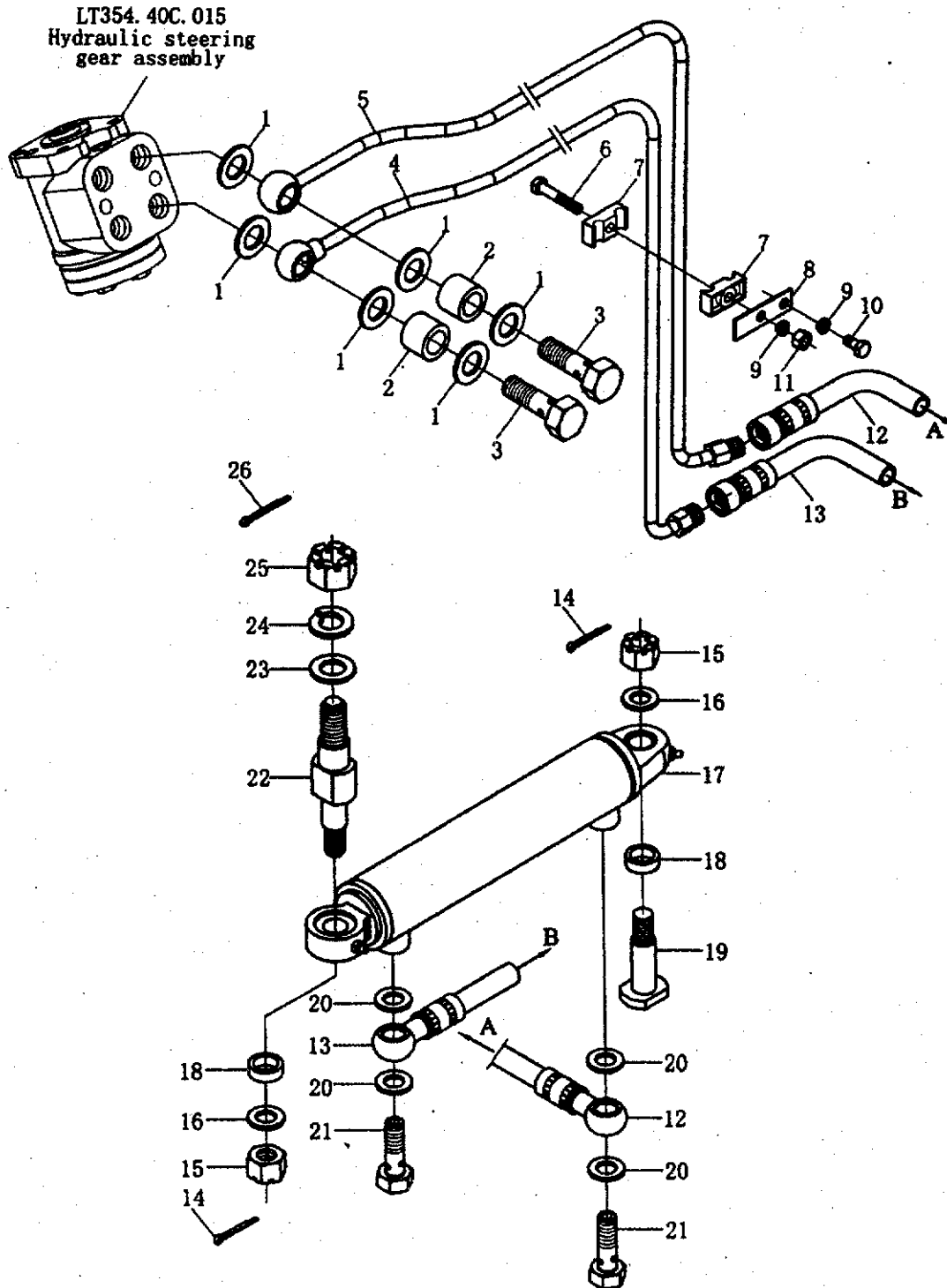
40 Hydraulic Steering Assembly - 2 (For Models with Four - Wheel Drive)



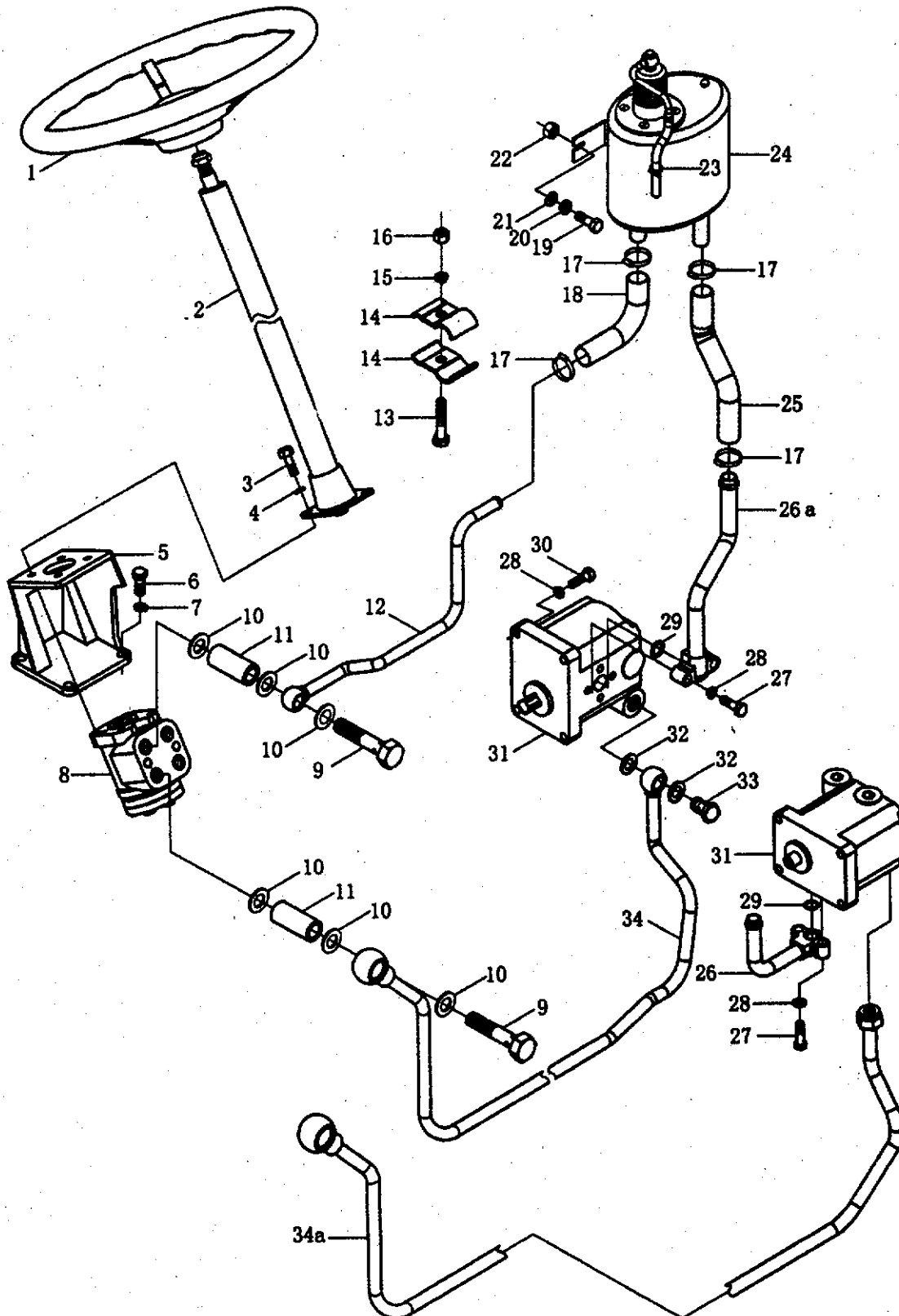
40 Hydraulic Steering Assembly - 1 (For Models with Two - Wheel Drive)



40 Hydraulic Steering Assembly - 2 (For Models with Two - Wheel Drive)

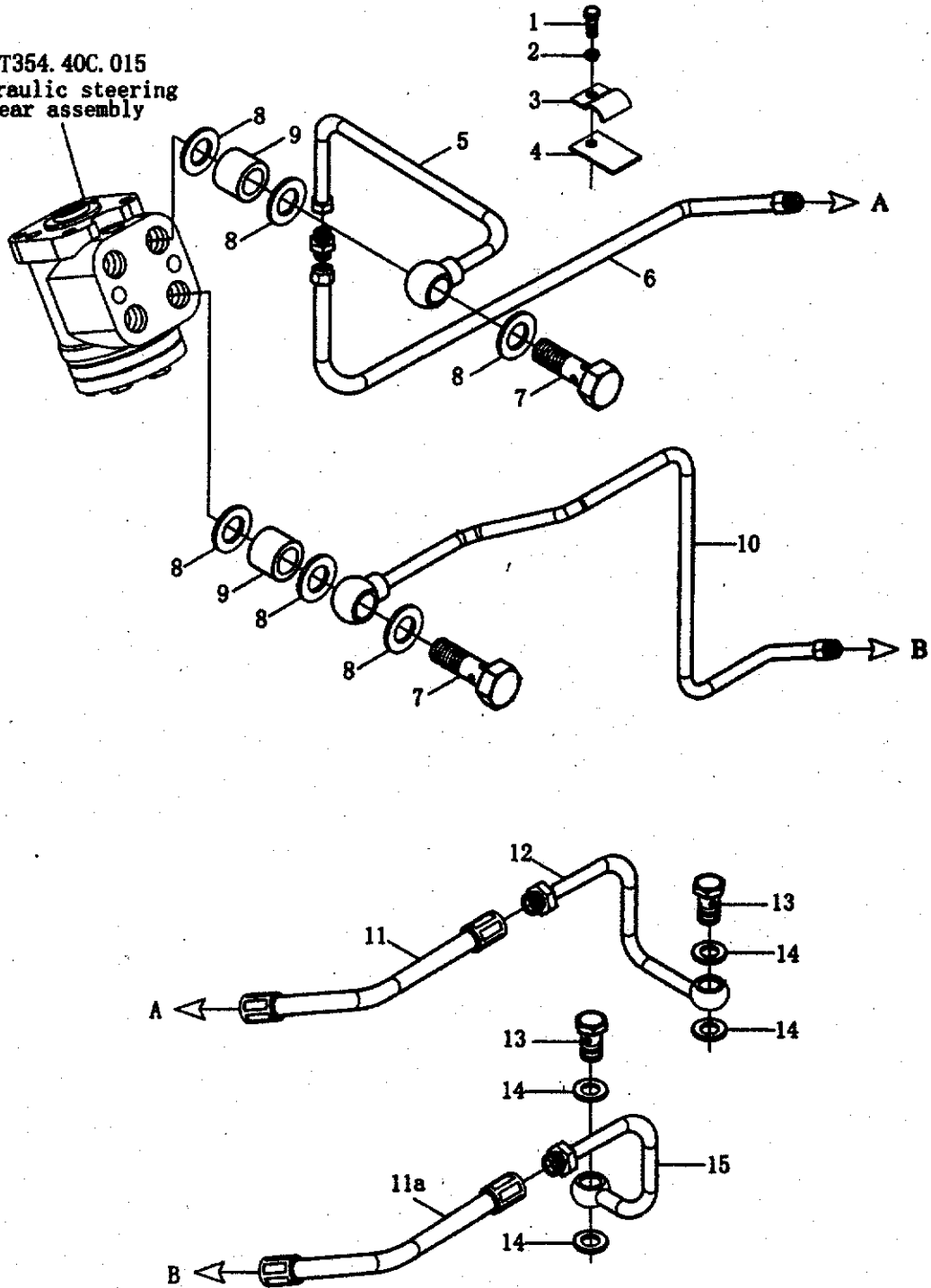


40 Hydraulic Steering Assembly - 1

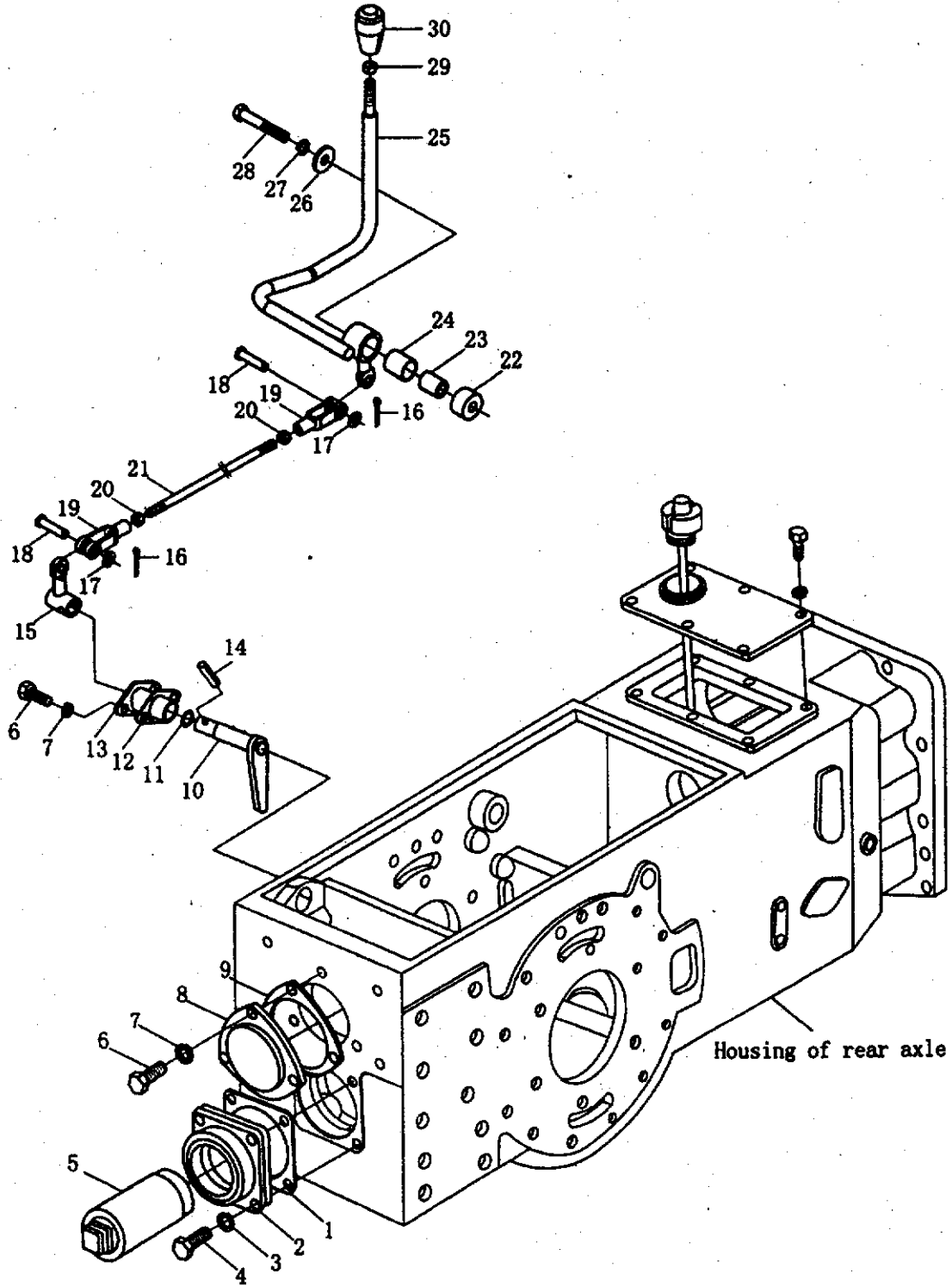


40 Hydraulic Steering Assembly - 2 (For Models with Four - Wheel Drive)

LT354.40C.015
Hydraulic steering
gear assembly

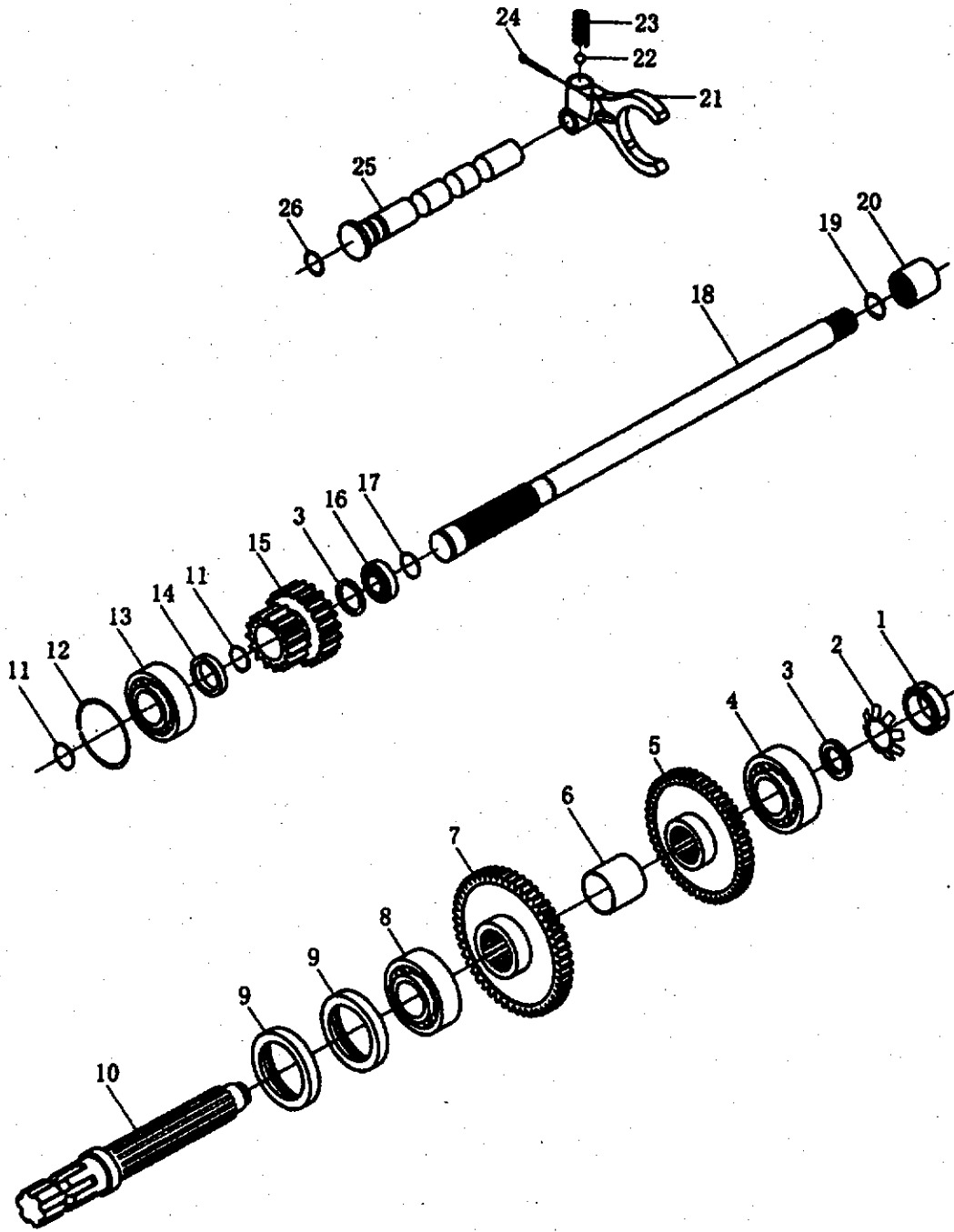


41 PTO Assembly - 1^①



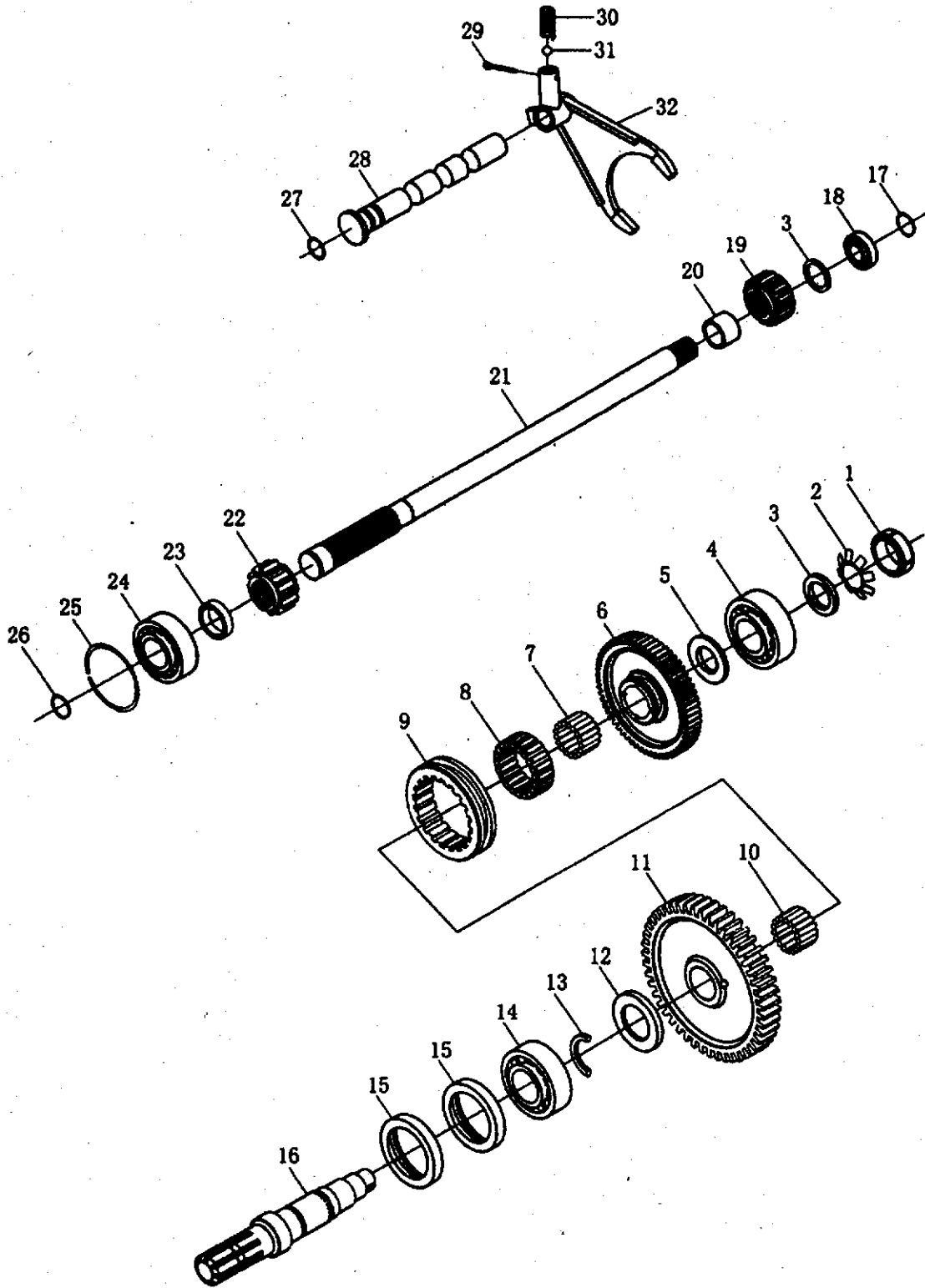
Note: ① For 107 PTO center space housing of rear axle.

41 PTO Assembly - 2^①



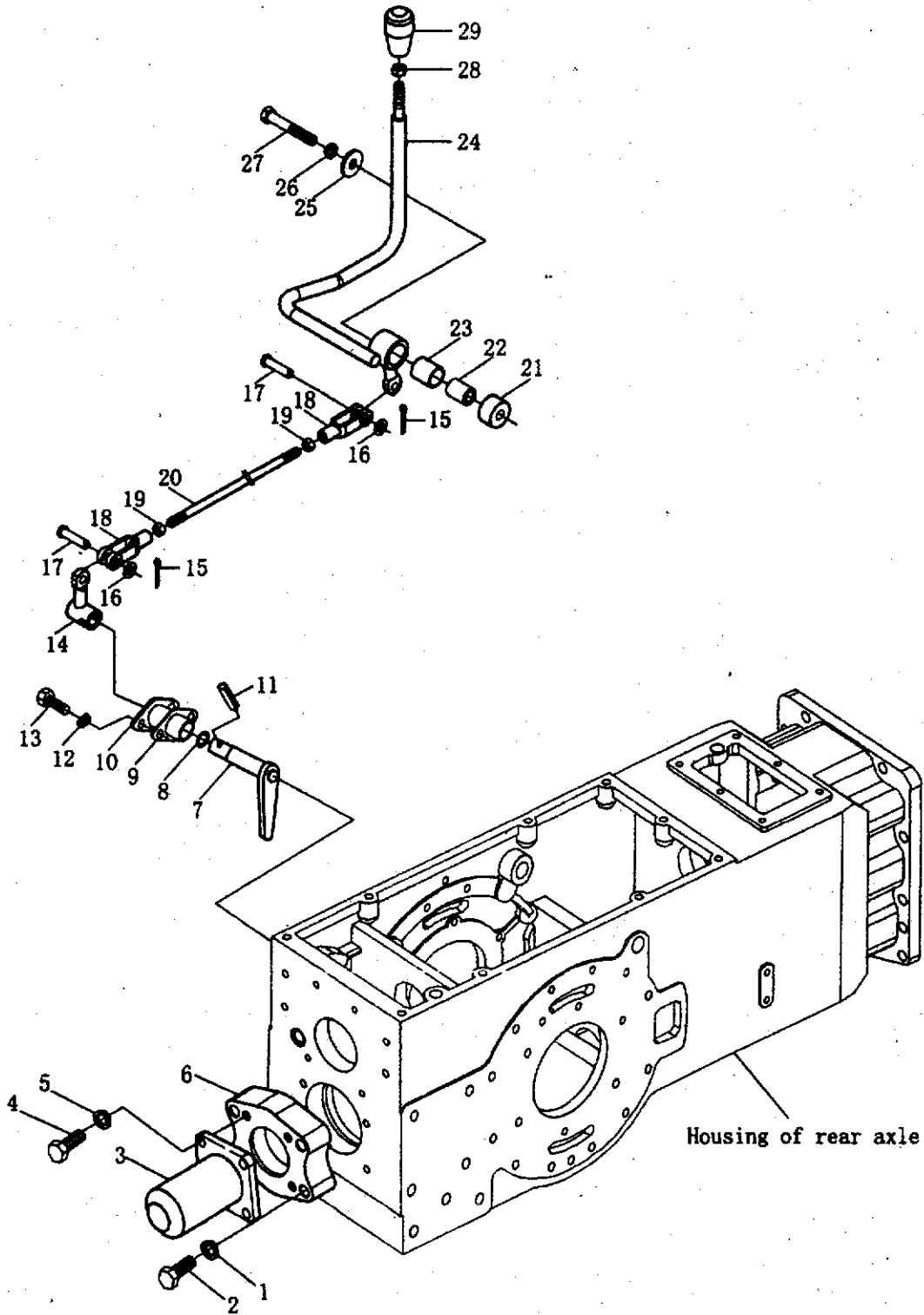
Note: ① For 107 PTO center space housing of rear axle.

41 PTO Assembly - 3^①



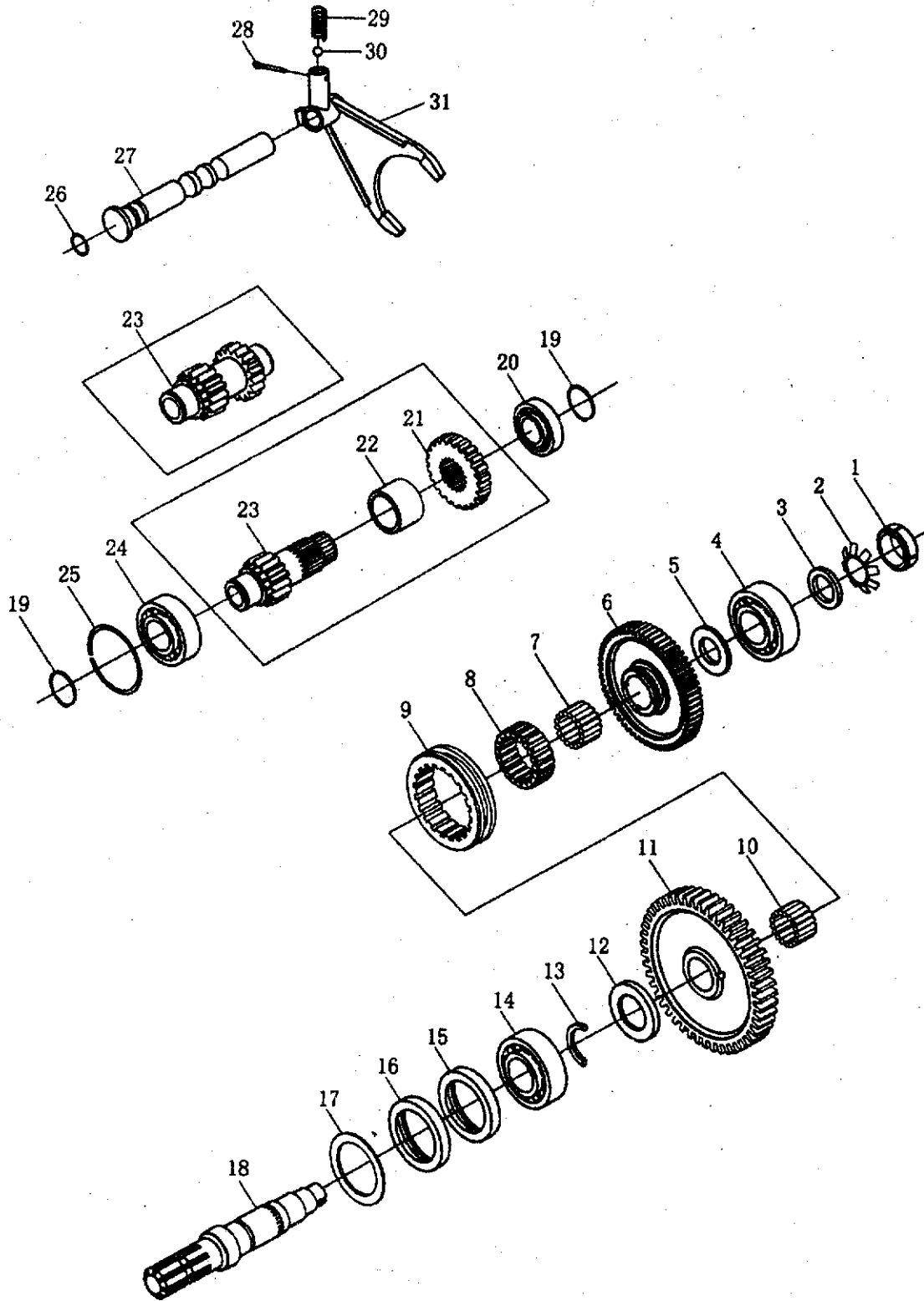
Note: ① Engaging sleeve gearshift, optional. For 107 PTO center space housing of rear axle.

41 PTO Assembly - 1^①



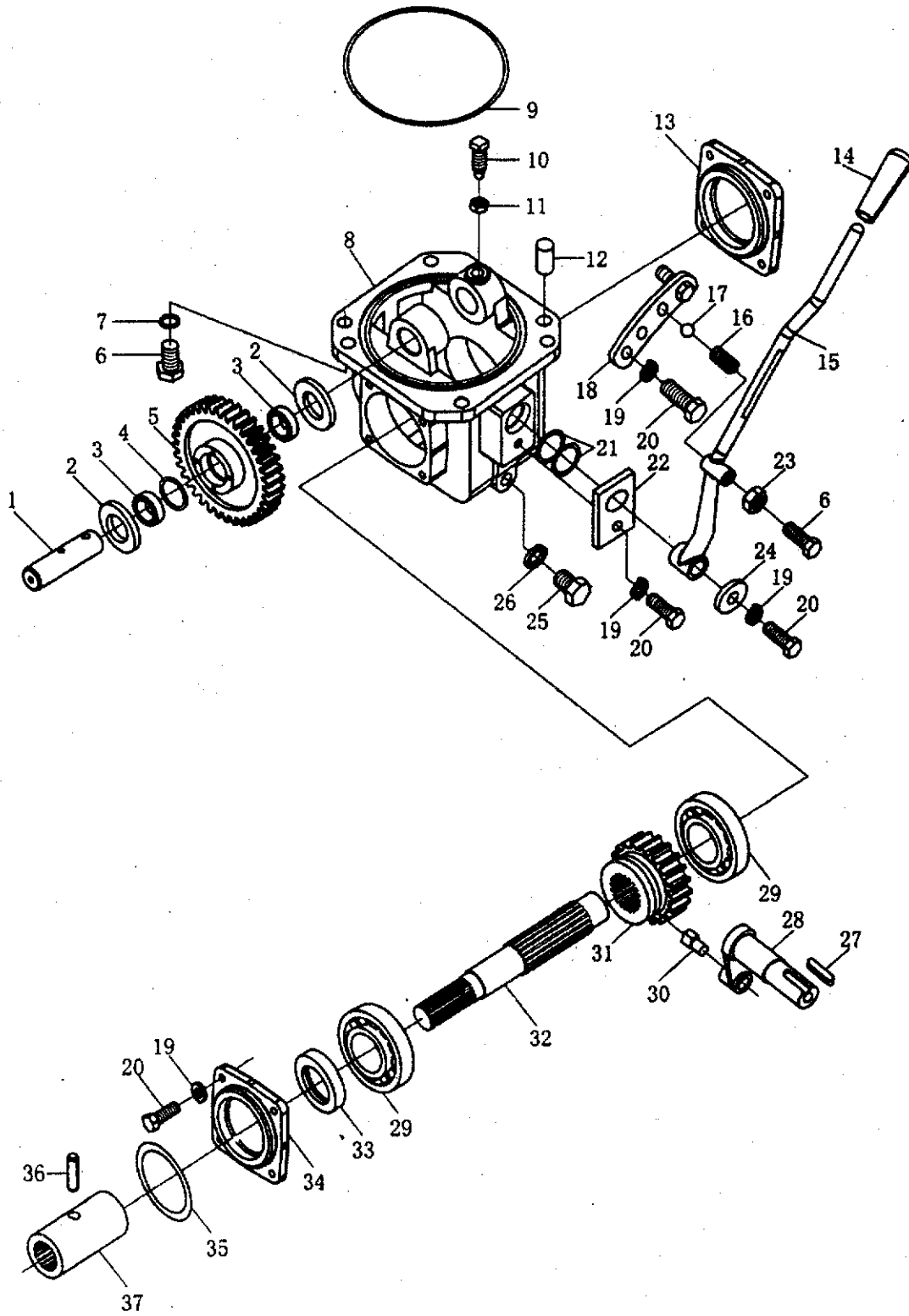
Note: ① For 118 PTO center space housing of rear axle.

41 PTO Assembly - 2^①

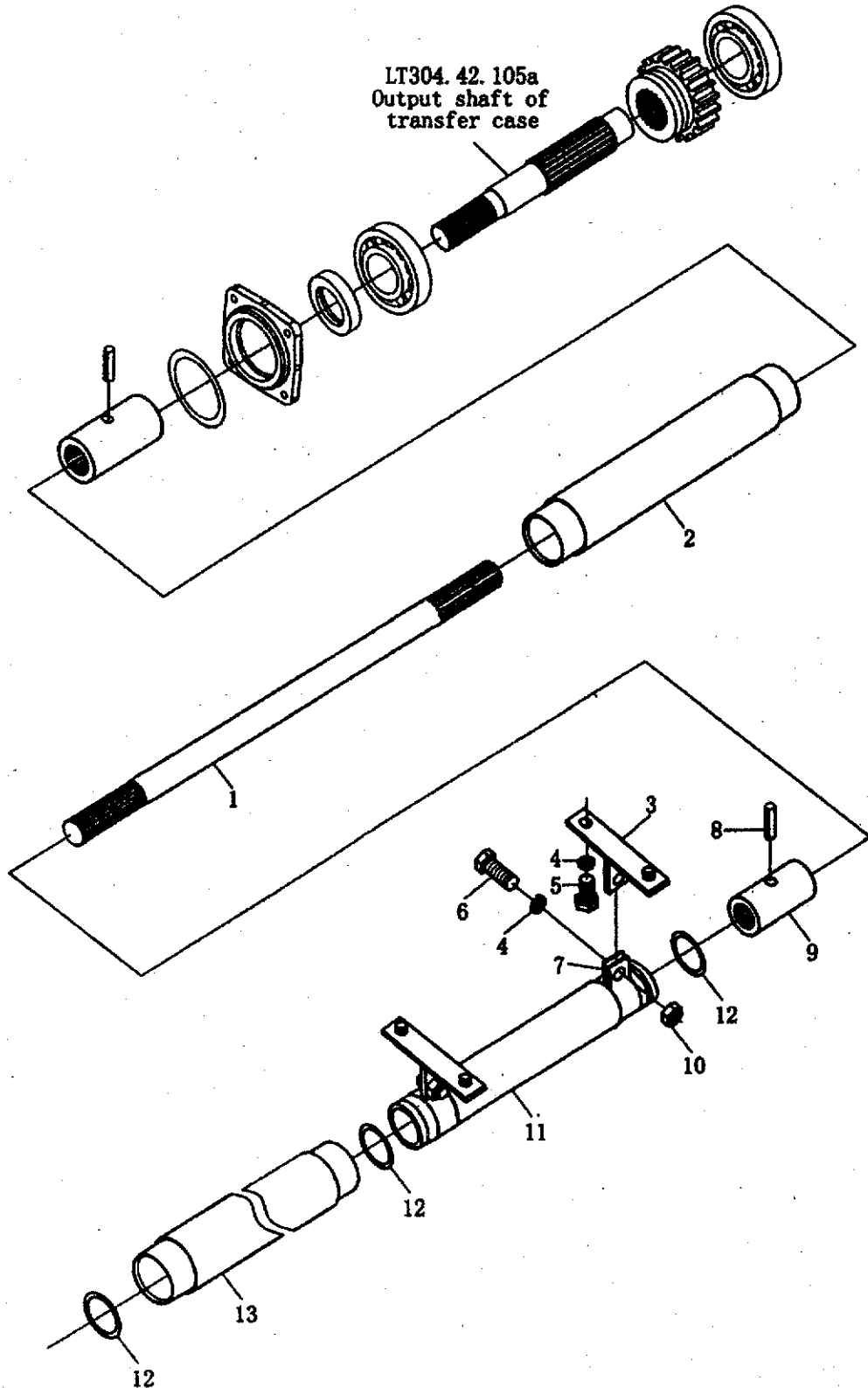


Note: ① For 118 PTO center space housing of rear axle.

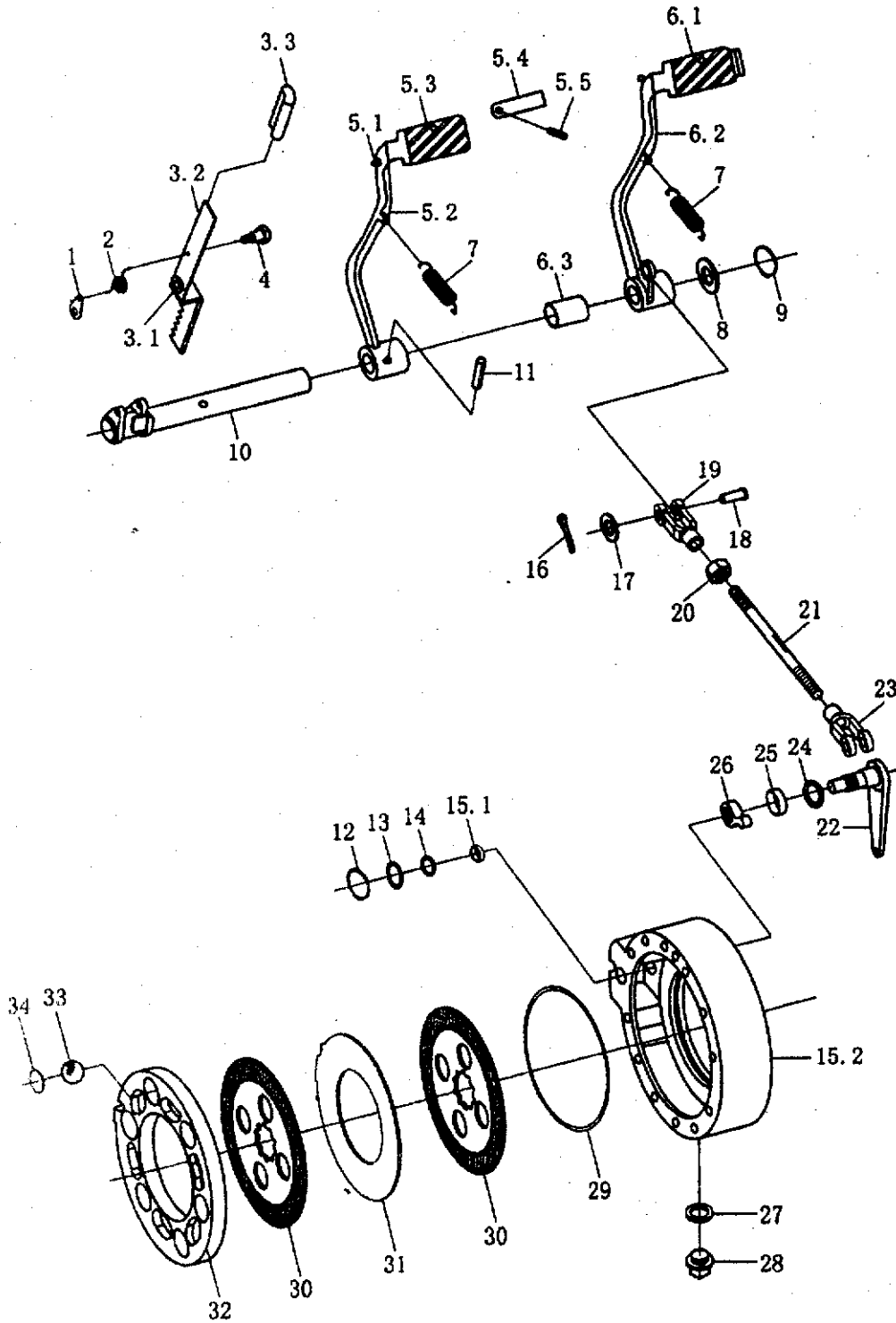
42 Transfer Case Assembly - 1



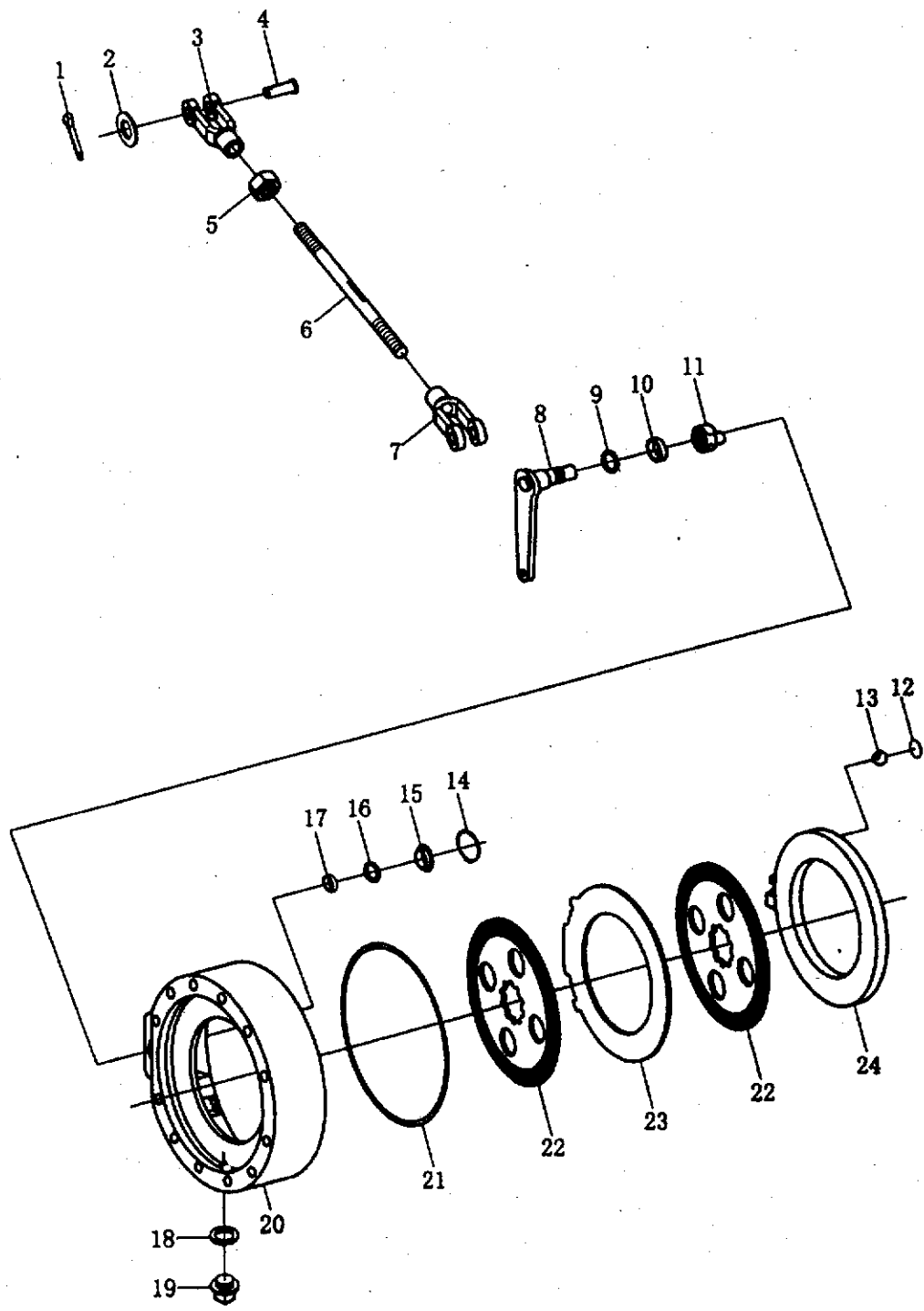
42 Transfer Case Assembly - 2



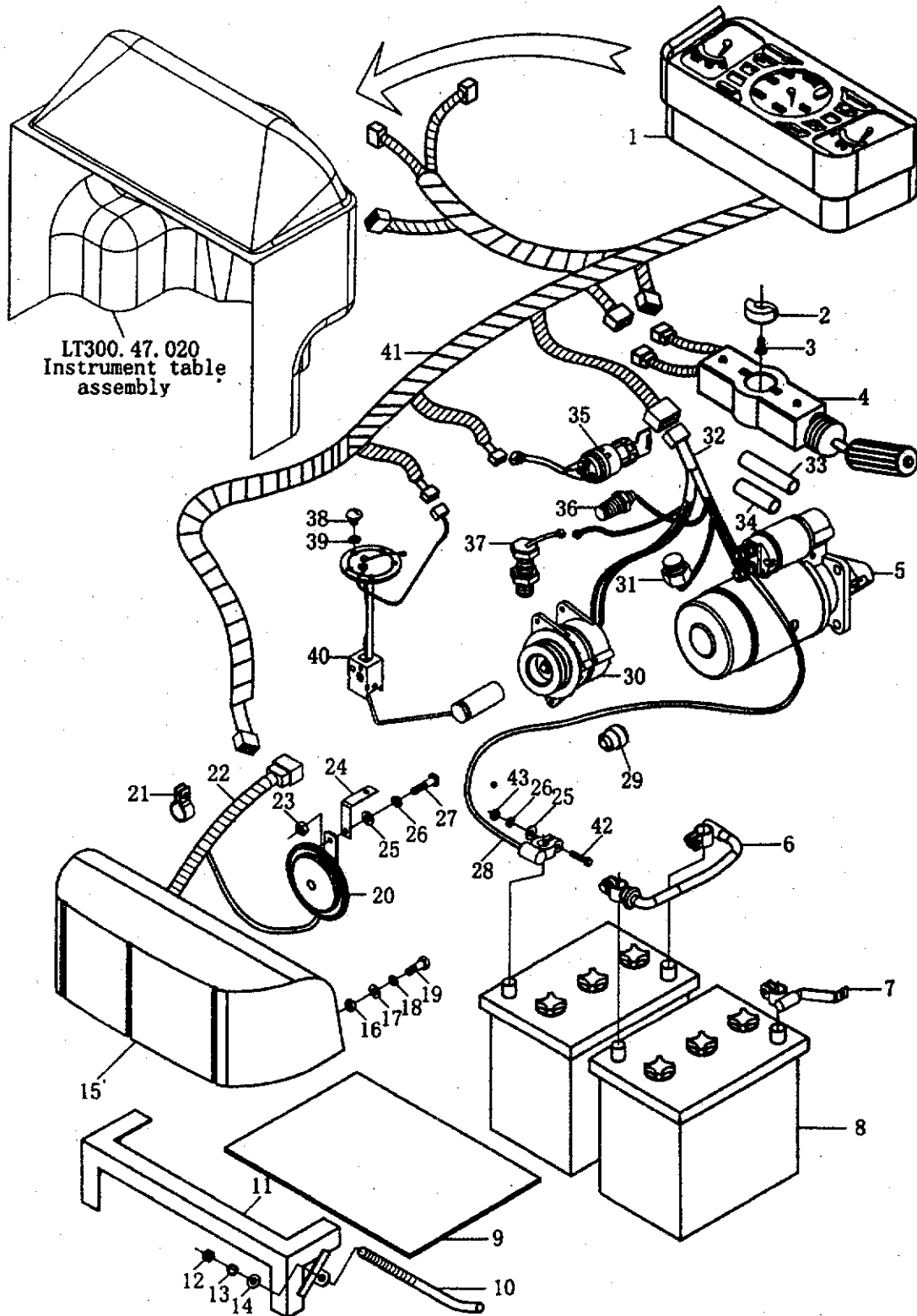
43 Brake Assembly - 1



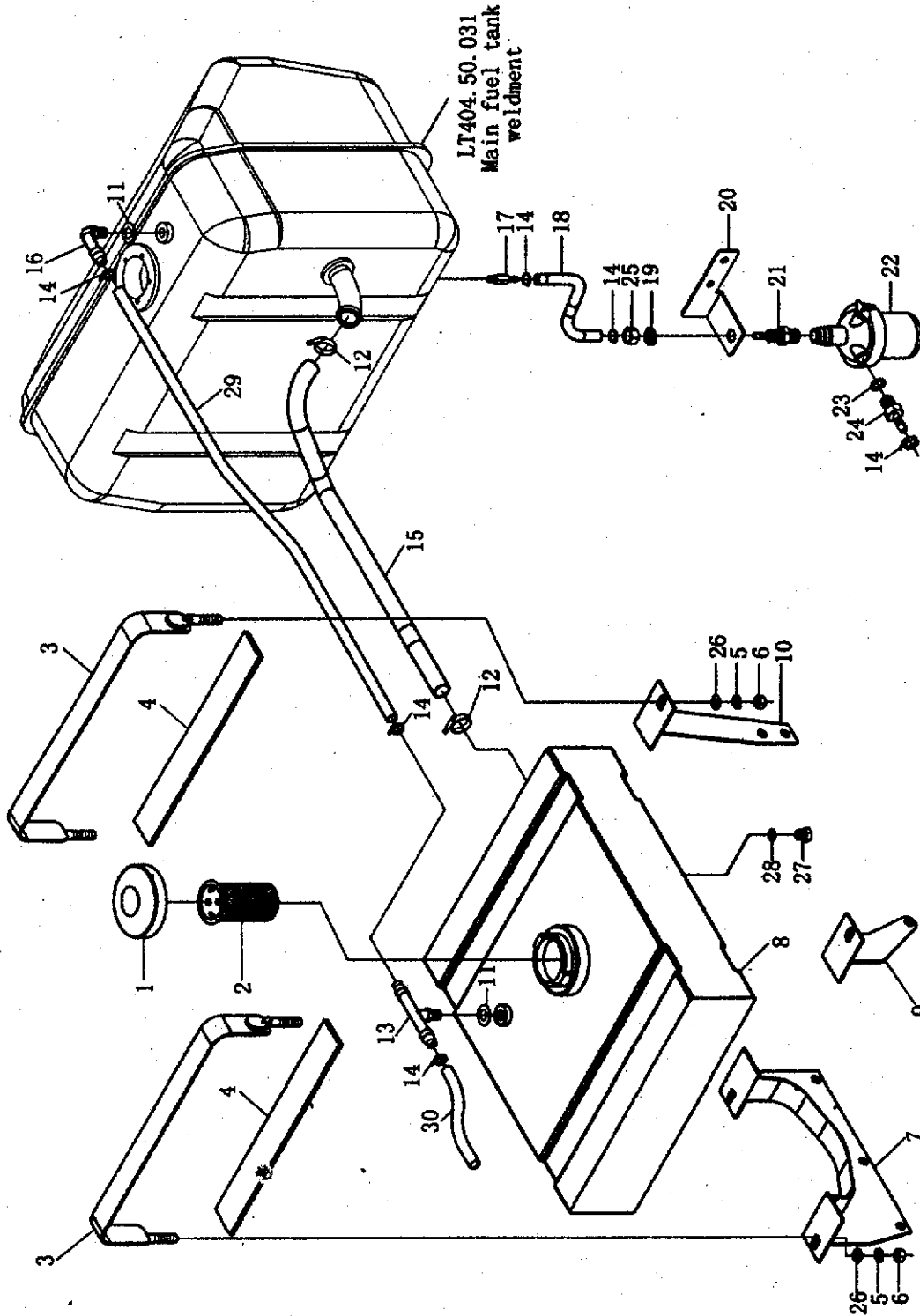
43 Brake Assembly - 2



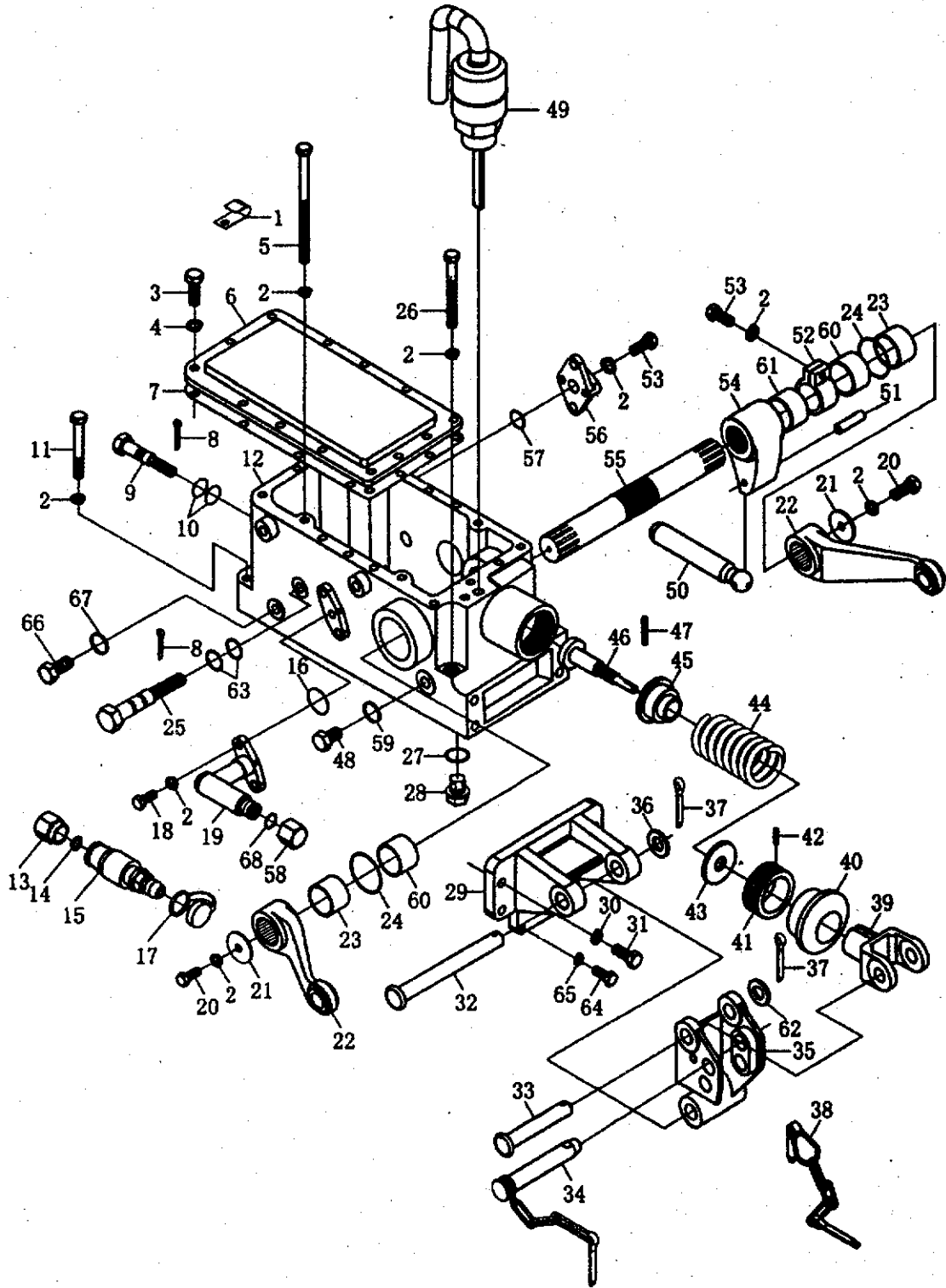
48 Electrical System Assembly - 1



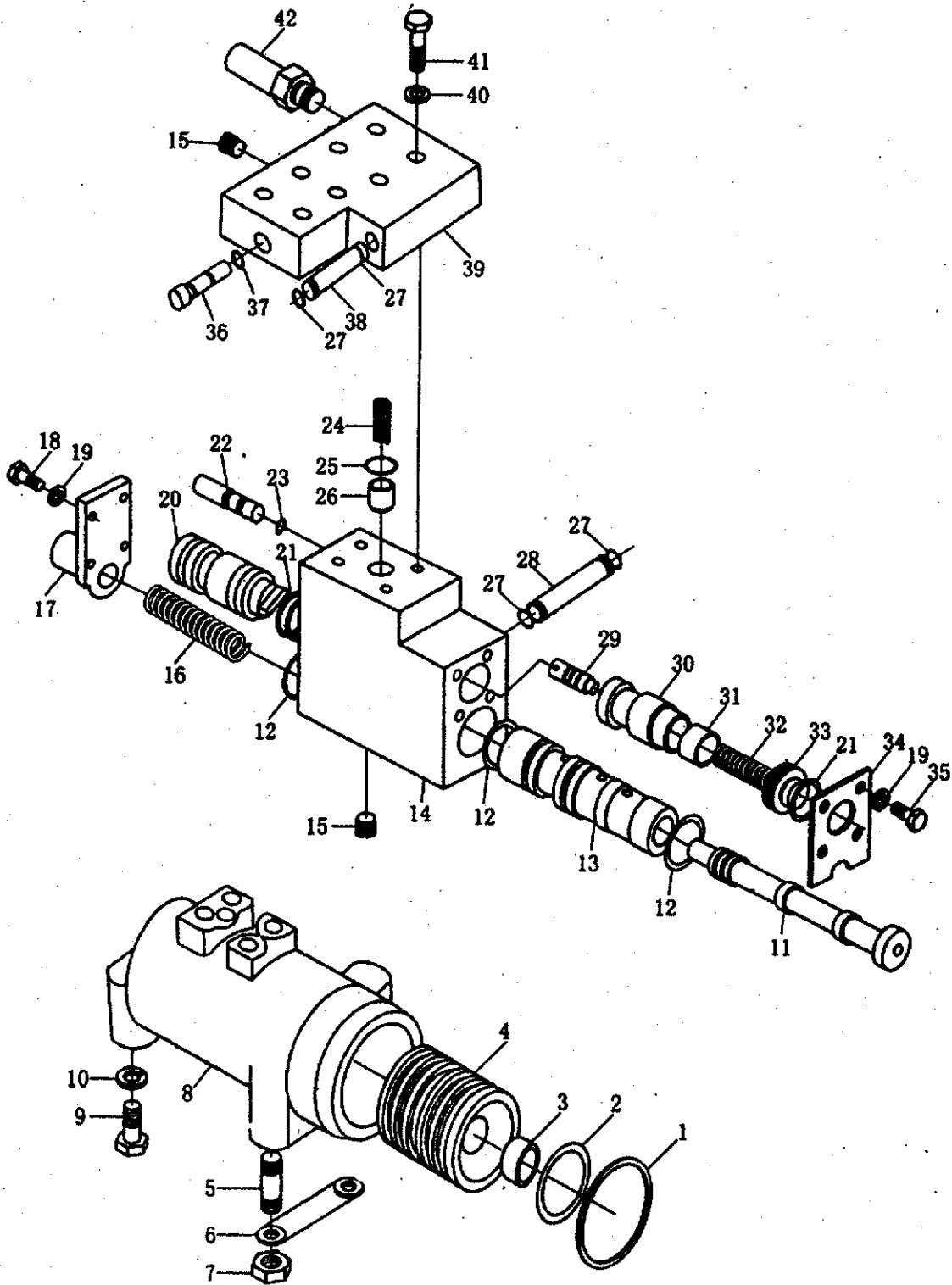
50 Fuel Tank and Bracket Assembly - 2



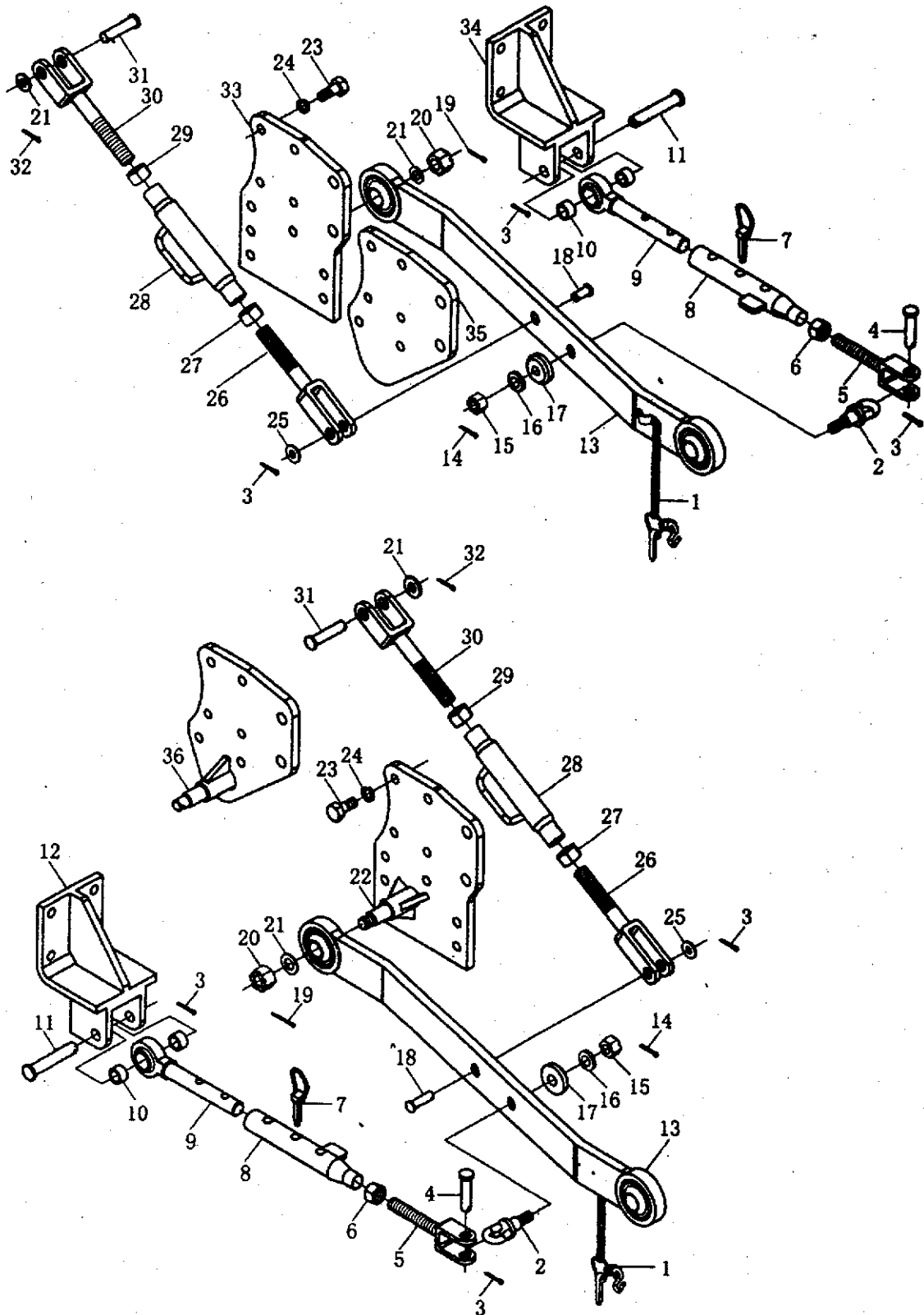
55 Lifter Assembly - 3



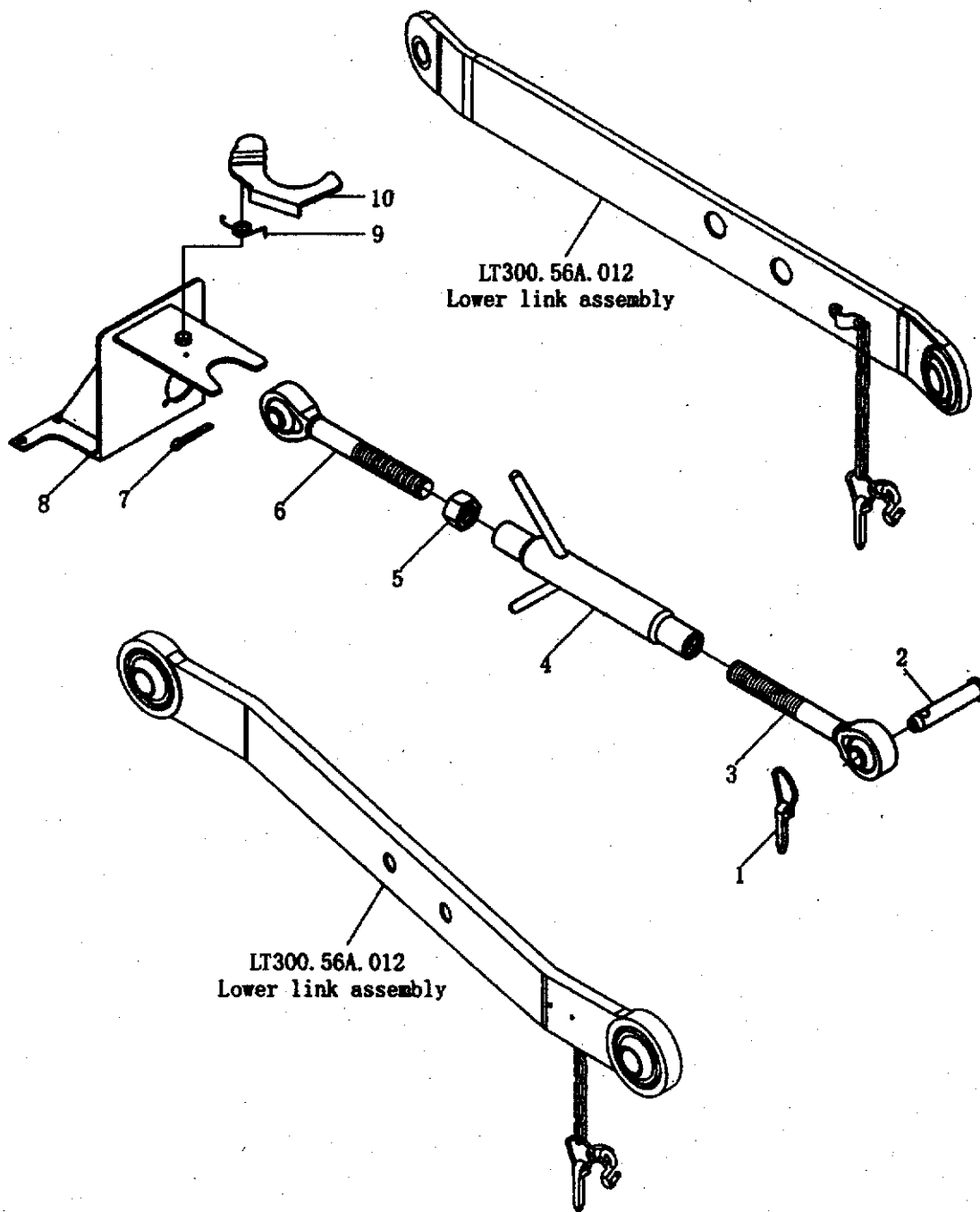
55 Lifter Assembly - 4



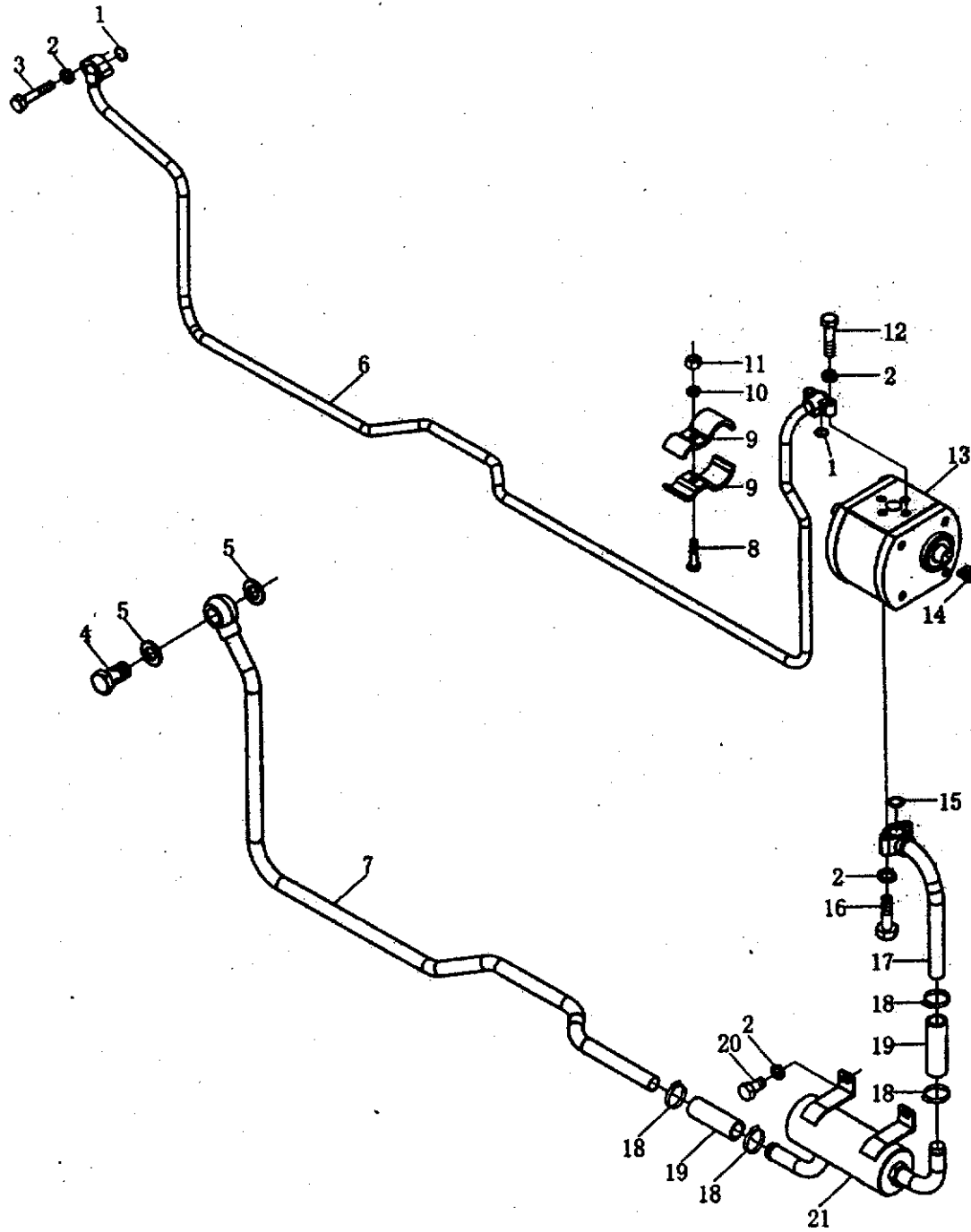
56 Suspension Mechanism Assembly - 1



56 Suspension Mechanism Assembly - 2

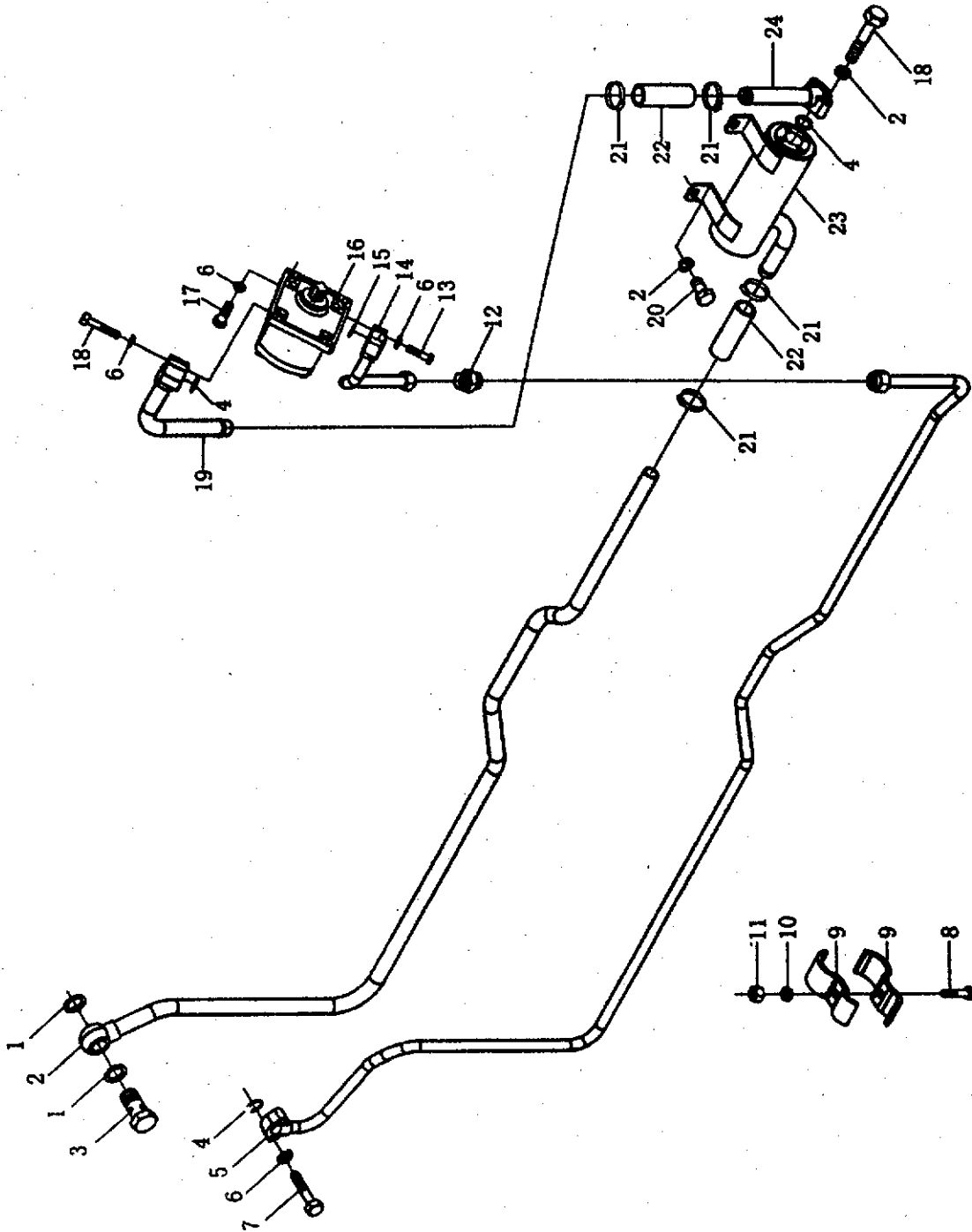


58 Gear Pump/Pipe and Filter Assembly - 1



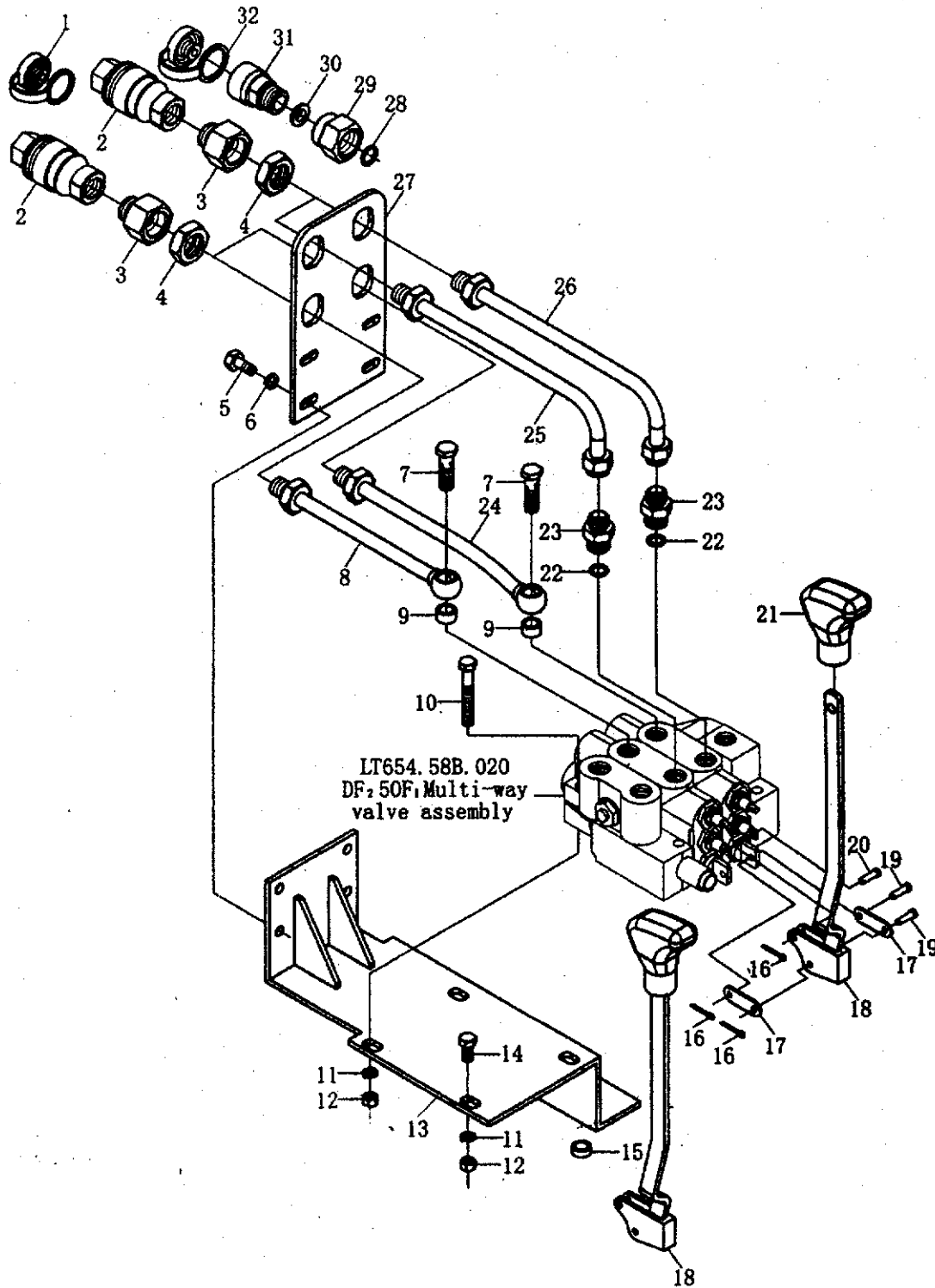
Note: For models with Lijia SL2105 engine.

58 Gear Pump/Pipe and Filter Assembly - 2



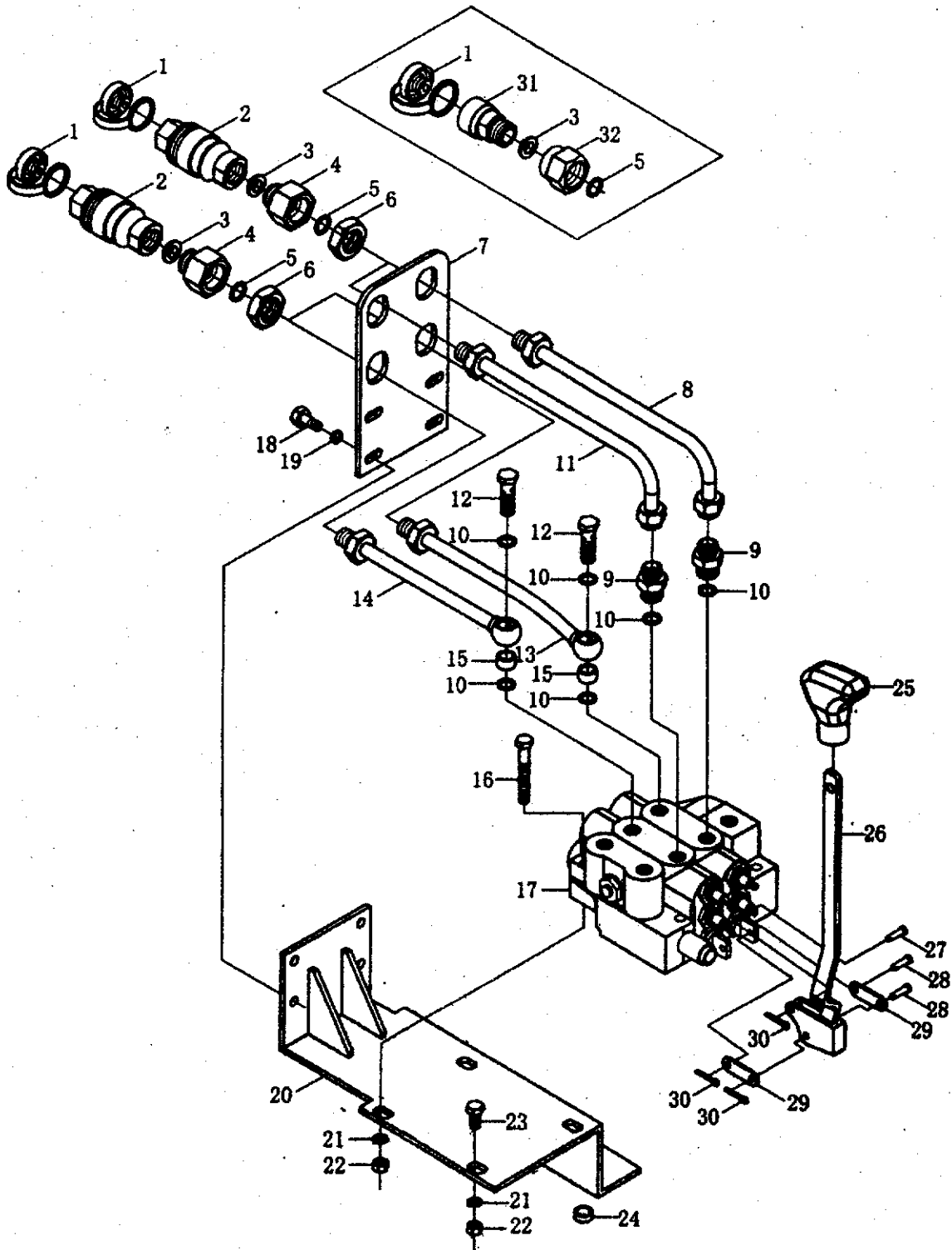
Note: For models with Jiangdong TY395 engine.

58 Gear Pump/Pipe and Hydraulic Output Assembly - 1



Note: For models with Lijia SL2105 engine.

58 Gear Pump/Pipe and Multi - Way Valve Assembly - 1



Note: For models with Quanchai 495 engine, Xinchai 490BT-20D engine.